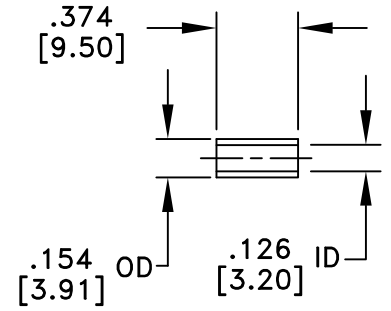
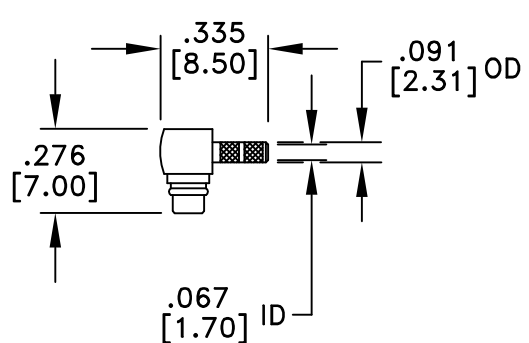
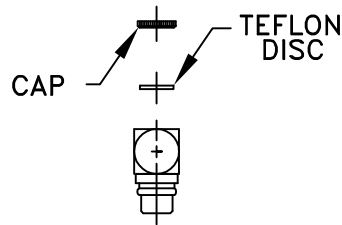
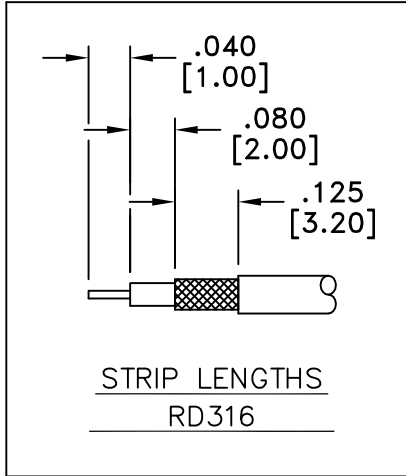


RevNo	Revision Notes	Date	Checked
1	Overall dimension change	090605	PC
2	RoHS Compliant	091705	PC



RoHS Compliant

MATERIALS	
BODY	BRASS
BODY PLATING	GOLD
CONTACT	BRASS
CONTACT PLATING	GOLD
DIELECTRIC	TEFLON (PTFE)
50 Ohm IMPEDANCE	
500V PEAK VOLTAGE RATING	
TEMPERATURE RANGE: -55°C TO +155°C	
INTERFACE DIMENSIONS SIMILAR TO MIL-C-39012	

MILLIMETER WAVE TECHNOLOGIES 6501 W. FRYE ROAD, #23 CHANDLER, AZ 85226			MMCX MALE RIGHT ANGLE CRIMP CABLE END for RD316			
Designed by P. CHEN	Checked by S. NEUGESS	Approved by A. LEE	File name MWXX-8001-G-D316	TITLE MWXX-8001-G-D316		
TOLERANCES <small>DIMENSIONS IN INCHES UNLESS OTHERWISE SPECIFIED</small> DECIMALS ANGULAR .XX ± .02 ± .06 .XXX ± .005			ALL DIMENSIONS ON THIS DRAWING ARE FOR REFERENCE PURPOSES ONLY AND ARE SUBJECT TO CHANGE.		REV. 2 DATE 030303	Scale NONE Sheet 1 of 1