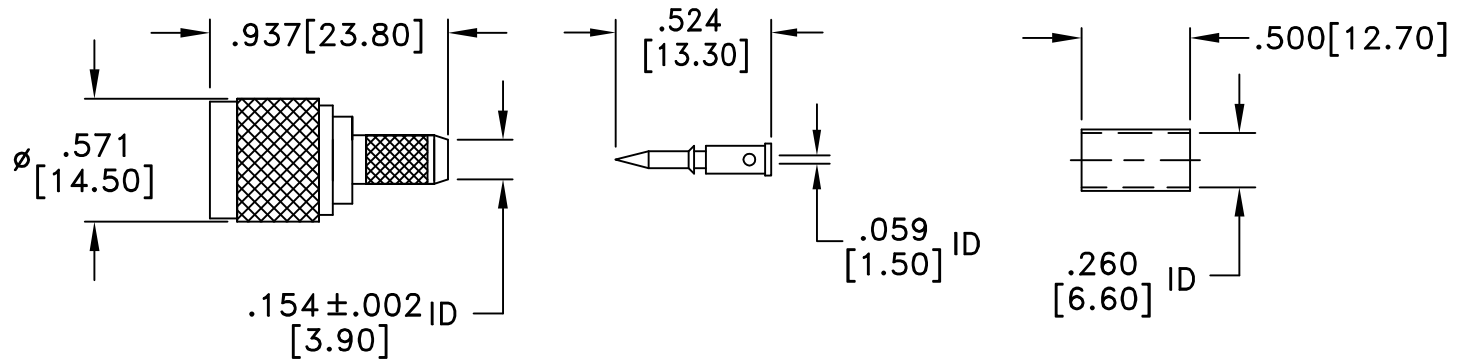


STRIP LENGTHS
LMR240

RevNo	Revision Notes	Date	Checked
1	Initial Release	101204	GC
2	RoHS Compliant	051005	GC



RoHS Compliant

MATERIALS

BODY	BRASS
BODY PLATING	NICKEL
CONTACT	PHOSPHOR BRONZE
CONTACT PLATING	GOLD
DIELECTRIC	TEFLON (PTFE)
GASKET	SILICONE

50 Ohm IMPEDANCE
500V PEAK VOLTAGE RATING
TEMPERATURE RANGE: -55°C TO +155°C
INTERFACE DIMENSIONS SIMILAR TO MIL-C-39012

MILLIMETER WAVE TECHNOLOGIES
6501 W. FRYE ROAD, #23
CHANDLER, AZ 85226

TNC PLUG
CRIMP CABLE END
for LMR240

Designed by P. CHEN	Checked by S. NEUGESS	Approved by A. LEE	File name MW-750-L240	TITLE MW-750-L240
<p>TOLERANCES DIMENSIONS IN INCHES UNLESS OTHERWISE SPECIFIED DECIMALS ANGULAR .XX ± .02 ± .06 .XXX ± .005</p>				<p>ALL DIMENSIONS ON THIS DRAWING ARE FOR REFERENCE PURPOSES ONLY AND ARE SUBJECT TO CHANGE.</p>
			REV. 2	Scale NONE
			DATE 101204	Sheet 1 of 1