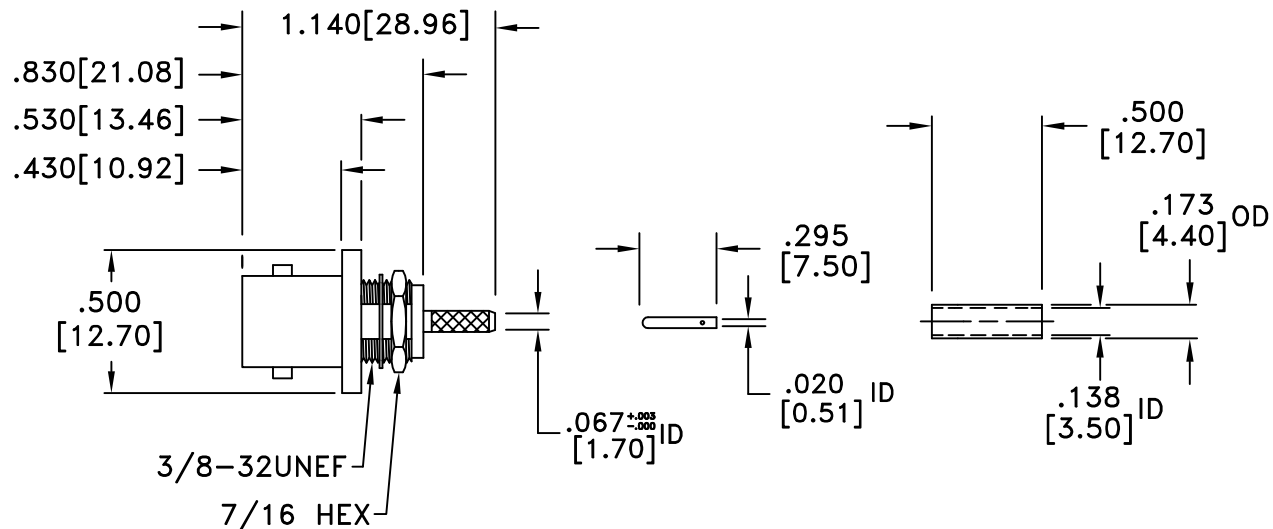
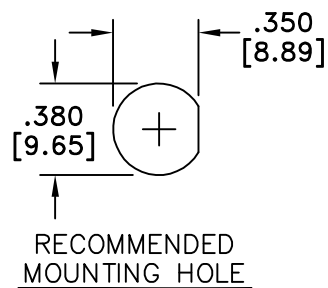
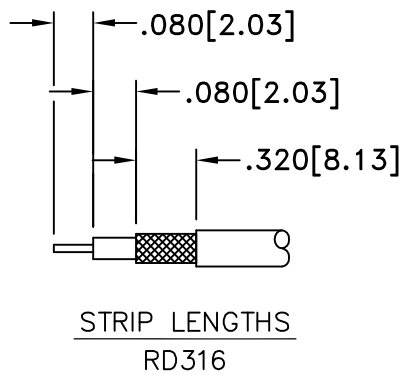


RevNo	Revision Notes	Date	Checked
1	Initial Release	062007	PC



RoHS Compliant

### MATERIALS

BODY	BRASS
BODY PLATING	NICKEL
CONTACT	PHOSPHOR BRONZE
CONTACT PLATING	GOLD
DIELECTRIC	DELTRIN

50 Ohm IMPEDANCE  
500V PEAK VOLTAGE RATING  
TEMPERATURE RANGE: -55°C TO +155°C  
INTERFACE DIMENSIONS SIMILAR TO MIL-C-39012

MILLIMETER WAVE TECHNOLOGIES  
6501 W. FRYE ROAD, #23  
CHANDLER, AZ 85226

BNC FEMALE FRONT MOUNT  
CRIMP CABLE END  
for RD316

Designed by P. CHEN	Checked by S. NEUGESS	Approved by A. LEE	File name MW-233-A-D316	TITLE MW-233-A-D316
------------------------	--------------------------	-----------------------	----------------------------	------------------------

TOLERANCES  
DIMENSIONS IN INCHES UNLESS OTHERWISE SPECIFIED  
DECIMALS ANGULAR  
.XX ± .02 ± .06  
.XXX ± .005

ALL DIMENSIONS ON THIS DRAWING ARE FOR REFERENCE  
PURPOSES ONLY AND ARE SUBJECT TO CHANGE.

REV. 1	Scale NONE
DATE 062007	Sheet 1 of 1