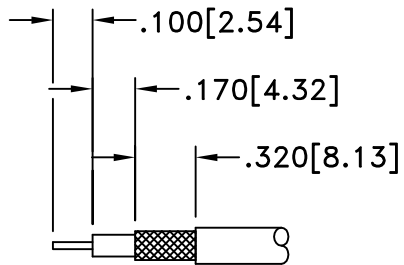
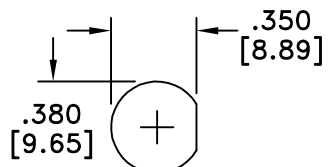


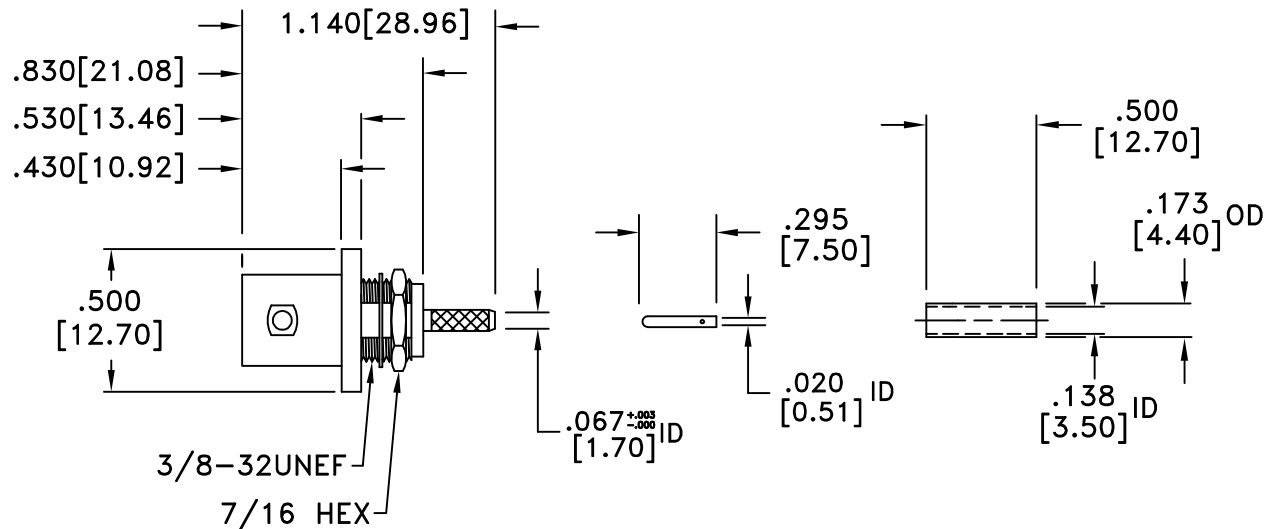
RevNo	Revision Notes	Date	Checked
1	Initial Release	062007	PC



STRIP LENGTHS
RD179



RECOMMENDED
MOUNTING HOLE



RoHS Compliant

MATERIALS

BODY	BRASS
BODY PLATING	NICKEL
CONTACT	PHOSPHOR BRONZE
CONTACT PLATING	GOLD
DIELECTRIC	DELTRIN

75 Ohm IMPEDANCE
500V PEAK VOLTAGE RATING
TEMPERATURE RANGE: -55°C TO +155°C
INTERFACE DIMENSIONS SIMILAR TO MIL-C-39012

MILLIMETER WAVE TECHNOLOGIES
6501 W. FRYE ROAD, #23
CHANDLER, AZ 85226

BNC FEMALE FRONT MOUNT
CRIMP CABLE END
for RD179
75 OHMS

Designed by P. CHEN	Checked by S. NEUGESS	Approved by A. LEE	File name MW-233-A-D17975	TITLE MW-233-A-D17975
<p>TOLERANCES DIMENSIONS IN INCHES UNLESS OTHERWISE SPECIFIED DECIMALS ANGULAR .XX ± .02 ± .06 .XXX ± .005</p>				<p>ALL DIMENSIONS ON THIS DRAWING ARE FOR REFERENCE PURPOSES ONLY AND ARE SUBJECT TO CHANGE.</p>
			REV. 1	Scale NONE
			DATE 062007	Sheet 1 of 1