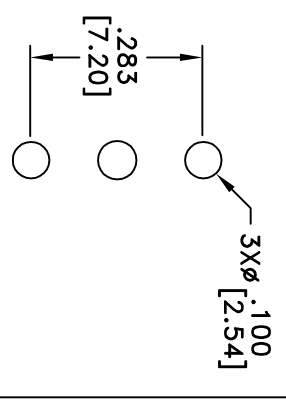
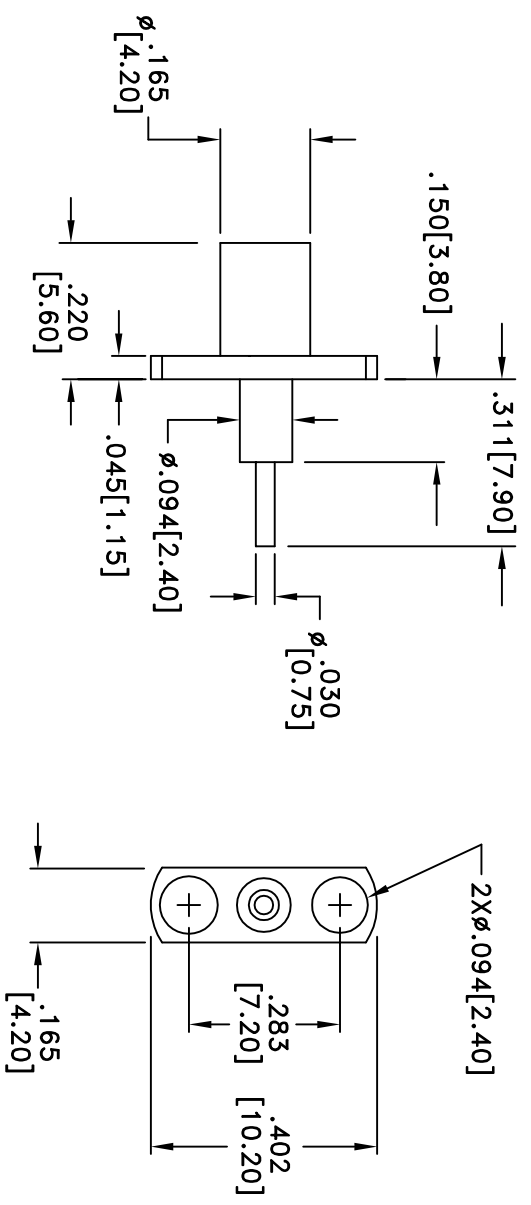


RevNo	Revision Notes	Date	Checked
1	Initial Release	100112	PC



RECOMMENDED
HOLE PATTERN



RoHS Compliant

MATERIALS

BODY	BRASS
BODY PLATING	GOLD
CONTACT	BERYLLIUM COPPER
CONTACT PLATING	GOLD
DIELECTRIC	TEFLON (PTFE)

50 Ohm IMPEDANCE
500V PEAK VOLTAGE RATING
TEMPERATURE RANGE: -55°C TO +155°C
INTERFACE DIMENSIONS SIMILAR TO MIL-C-39012

MILLIMETER WAVE TECHNOLOGIES
6501 W. FRYE ROAD, #23
CHANDLER, AZ 85226

SMP PLUG
2 HOLE FLANGE
EXTENDED DIELECTRIC
(FULL DETENT)

Designed by N. JAIN	Checked by W. CANON	Approved by A. LEE	File name MWP-9012G-0408	TITLE MWP-9012G-0408
------------------------	------------------------	-----------------------	-----------------------------	-------------------------

TOLERANCES
DIMENSIONS IN INCHES UNLESS OTHERWISE SPECIFIED
DECIMALS ± .02
ANGULAR ± .06
XXX ± .005

ALL DIMENSIONS ON THIS DRAWING ARE FOR REFERENCE
PURPOSES ONLY AND ARE SUBJECT TO CHANGE.

REV.	Scale
1	NONE
DATE	Sheet
100112	1 of 1