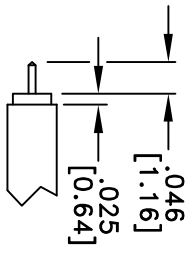
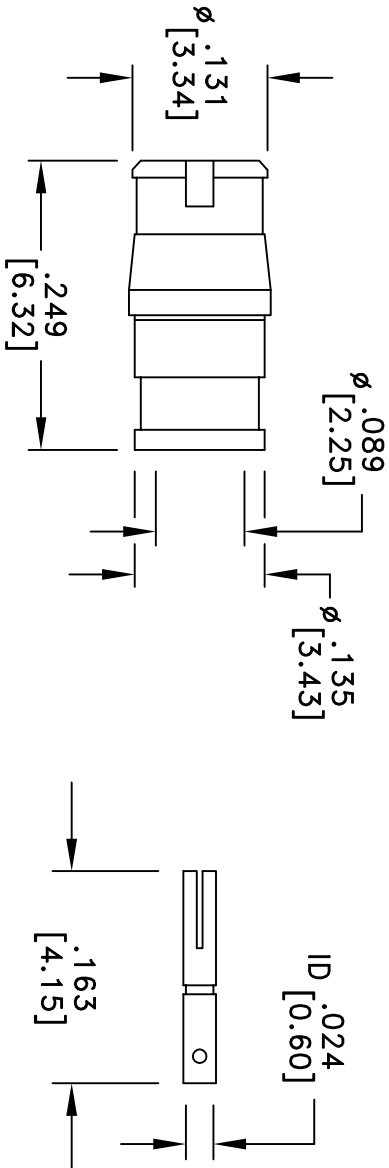


RevNo	Revision Notes	Date	Checked
1	RoHS Compliant	033117	PC



STRIP LENGTHS



RoHS Compliant

MATERIALS

BODY	BeCu
BODY PLATING	GOLD
CONTACT	BeCu
CONTACT PLATING	GOLD
DIELECTRIC	TEFLON (PTFE)
RETAINING CLIP	BeCu

50 Ohm IMPEDANCE
 500V PEAK VOLTAGE RATING
 TEMPERATURE RANGE: -55°C TO +155°C
 INTERFACE DIMENSIONS SIMILAR TO MIL-C-39012

MILLIMETER WAVE TECHNOLOGIES
 6501 W. FRYE ROAD, #23
 CHANDLER, AZ 85226

SMP FEMALE STRAIGHT
 CABLE END
 for .086" RG405

Designed by N. JAIN
 Checked by S. NEUGEISS

Approved by A. LEE

File name MWP-6001-6-086

TITLE MWP-6001-G-086

TOLERANCES
 DIMENSIONS IN INCHES UNLESS OTHERWISE SPECIFIED
 DECIMALS .XX ± .02
 ANGULAR .XXX ± .005

ALL DIMENSIONS ON THIS DRAWING ARE FOR REFERENCE
 PURPOSES ONLY AND ARE SUBJECT TO CHANGE.

REV.	DATE	Scale
1 <td>033117 <td>NONE</td> </td>	033117 <td>NONE</td>	NONE
<td> <td>Sheet 1 of 1</td> </td>	<td>Sheet 1 of 1</td>	Sheet 1 of 1