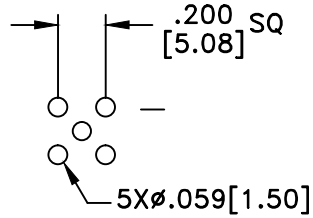
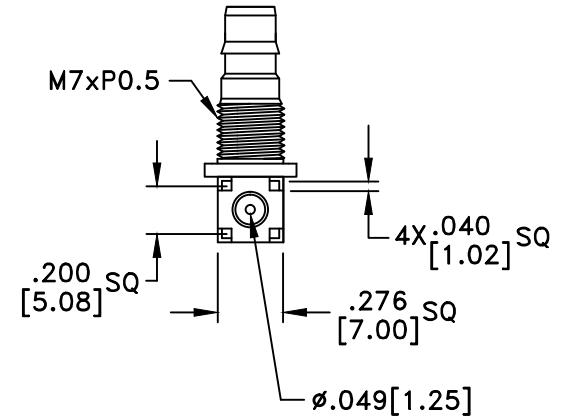
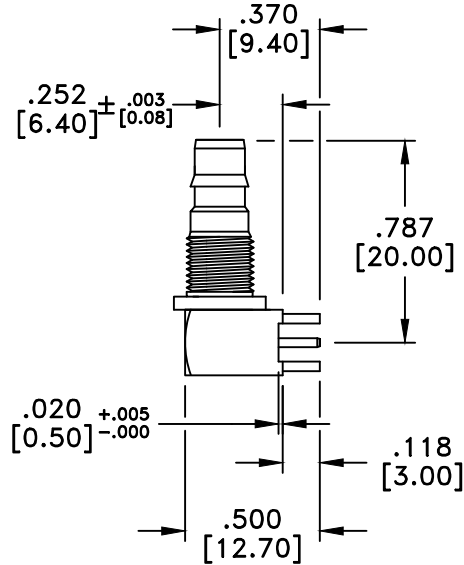
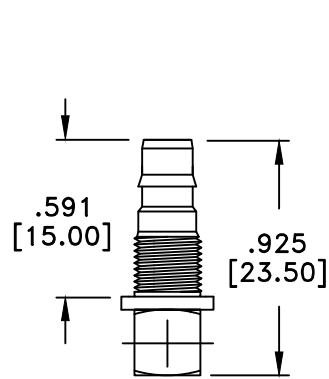


RevNo	Revision Notes	Date	Checked
1	RoHS Compliant	010914	GC
2	O-Ring Added, flange expanded	011314	GC



RECOMMENDED
HOLE PATTERN



RoHS Compliant

NOTE: INCLUDES HEX NUT, O-RING AND INTERNAL TOOTH LOCKWASHER

MATERIAL

BODY	BRASS
BODY PLATING	NICKEL
CONTACT	PHOSPHOR BRONZE
CONTACT PLATING	GOLD
DIELECTRIC	TEFLON (PTFE)

50 Ohm IMPEDANCE
500V PEAK VOLTAGE RATING
TEMPERATURE RANGE: -55°C TO +155°C
INTERFACE DIMENSIONS SIMILAR TO MIL-C-39012

MILLIMETER WAVE TECHNOLOGIES
6501 W. FRYE ROAD, #23
CHANDLER, AZ 85226

QMA FEMALE R/A BULKHEAD
PCB MOUNT 4 LEGS

Designed by G.COLEMERE	Checked by W. CANON	Approved by A. LEE	File name MWQ-5510-G	TITLE MWQ-5510-G
<p>TOLERANCES DIMENSIONS ARE IN INCHES UNLESS OTHERWISE SPECIFIED DECIMALS ANGULAR .XX ± .02 ± .06 .XXX ± .005 DO NOT SCALE THIS DRAWING</p>			<p>ALL DIMENSIONS ON THIS DRAWING ARE FOR REFERENCE PURPOSES ONLY AND ARE SUBJECT TO CHANGE.</p>	
			REV. 2	Scale NONE
			DATE 010914	Sheet 1 of 1