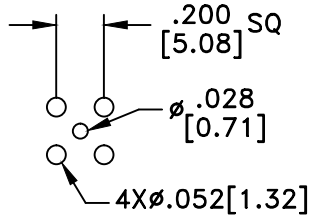
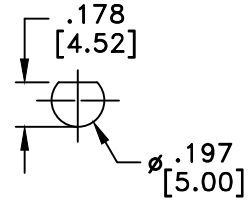


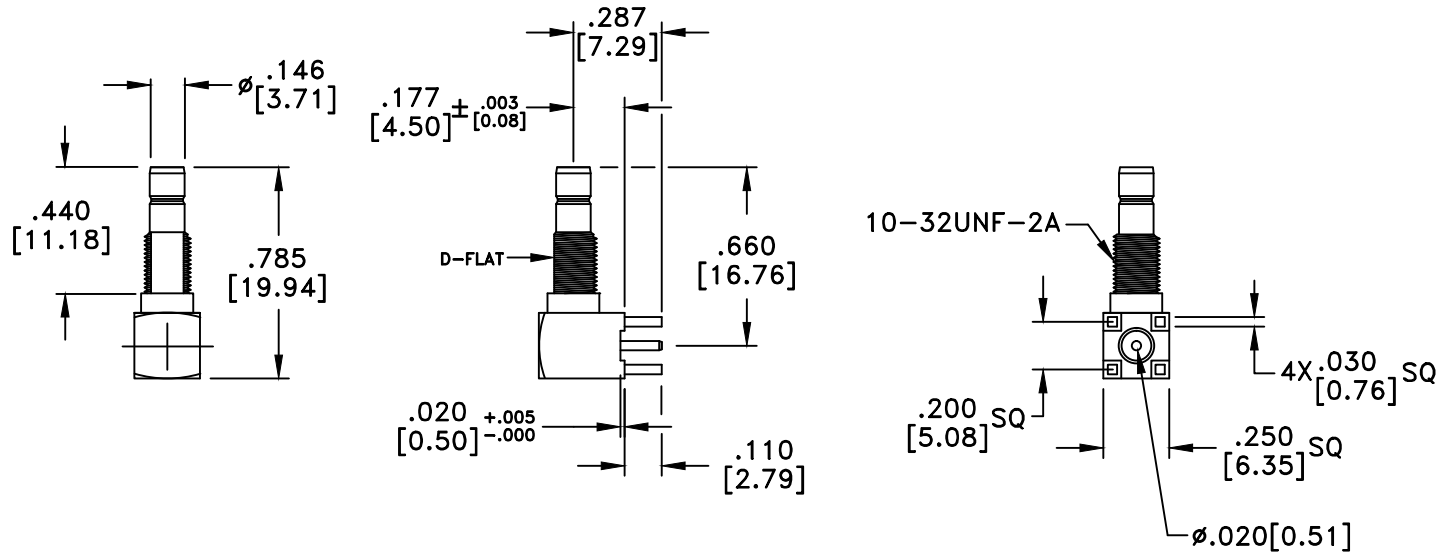
RevNo	Revision Notes	Date	Checked
1	RoHS Compliant	093010	GC
2	Plating called out on contact	080615	GC
3	Internal ridge added to dielectric	061820	GC



RECOMMENDED HOLE PATTERN



RECOMMENDED MOUNTING HOLE



RoHS Compliant

NOTE: INCLUDES HEX NUT AND INTERNAL TOOTH LOCKWASHER

MATERIAL

BODY	BRASS
BODY PLATING	GOLD
CONTACT	BRASS
CONTACT PLATING	30u" GOLD
DIELECTRIC	TEFLON (PTFE)

75 Ohm IMPEDANCE
 500V PEAK VOLTAGE RATING
 TEMPERATURE RANGE: -55°C TO +155°C
 INTERFACE DIMENSIONS SIMILAR TO MIL-C-39012

MILLIMETER WAVE TECHNOLOGIES
 6501 W. FRYE ROAD, #23
 CHANDLER, AZ 85226

SMB MALE R/A BULKHEAD
 PCB MOUNT 4 LEGS
 75 OHMS

Designed by G.COLEMERE	Checked by W. CANON	Approved by A. LEE	File name MWB-5510-GRC-75	TITLE MWB-5510-GRC-75	
<p>TOLERANCES DIMENSIONS ARE IN INCHES UNLESS OTHERWISE SPECIFIED DECIMALS ANGULAR .XX ± .02 ± .06 .XXX ± .005 ± .01 DO NOT SCALE THIS DRAWING</p>				<p>ALL DIMENSIONS ON THIS DRAWING ARE FOR REFERENCE PURPOSES ONLY AND ARE SUBJECT TO CHANGE.</p>	<p>REV. 3</p> <p>Scale NONE</p>
				<p>DATE 093010</p> <p>Sheet 1 of 1</p>	