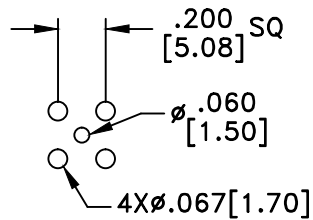
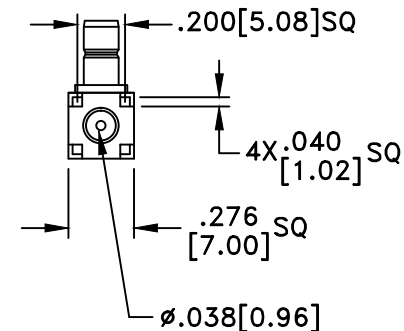
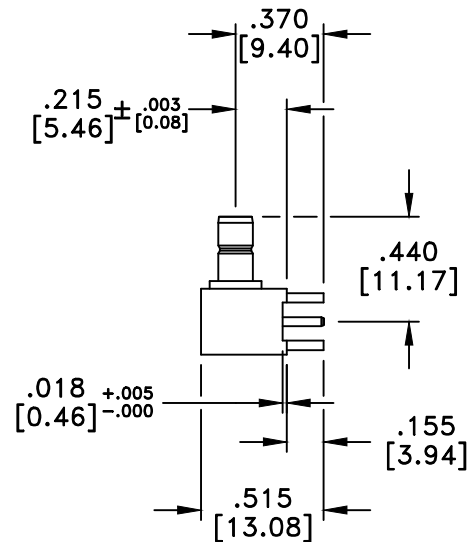
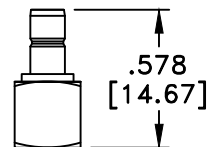


RevNo	Revision Notes	Date	Check
1	RoHS Compliant	052005	GC



RECOMMENDED HOLE PATTERN



RoHS Compliant

MATERIAL

BODY	BRASS
BODY PLATING	GOLD
CONTACT	BRASS
CONTACT PLATING	GOLD
DIELECTRIC	TEFLON (PTFE)

50 Ohm IMPEDANCE
 500V PEAK VOLTAGE RATING
 TEMPERATURE RANGE: -55°C TO +155°C
 INTERFACE DIMENSIONS SIMILAR TO MIL-C-39012

MILLIMETER WAVE TECHNOLOGIES 6501 W. FRYE ROAD, #23 CHANDLER, AZ 85226		SMB JACK RIGHT ANGLE PCB MOUNT, 50 OHMS	
Designed by N. JAIN	Checked by W. CANON	Approved by A. LEE	File name MWB-5500-G
		TITLE MWB-5500-G	
TOLERANCES DIMENSIONS ARE IN INCHES UNLESS OTHERWISE SPECIFIED DECIMALS ANGULAR .XX ± .02 ± .06 .XXX ± .005 ± .06 DO NOT SCALE THIS DRAWING		ALL DIMENSIONS ON THIS DRAWING ARE FOR REFERENCE PURPOSES ONLY AND ARE SUBJECT TO CHANGE.	
		REV. 1	Scale NONE
		DATE 041001	Sheet 1 of 1