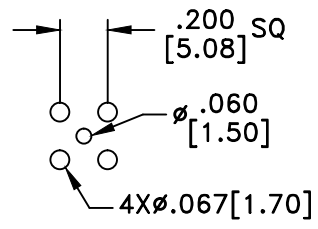
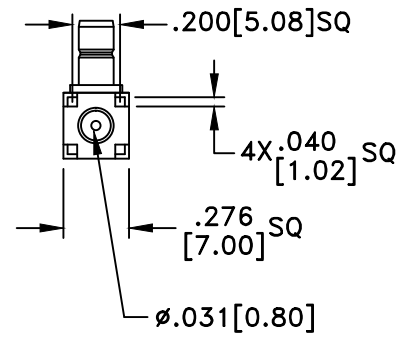
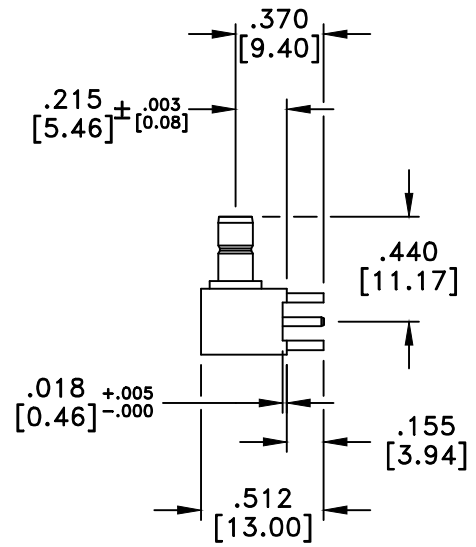
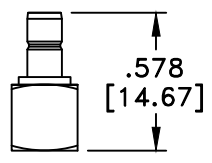


RevNo	Revision Notes	Date	Checked
1	RoHS Compliant	052005	GC
2	Overall length changed	100708	GC



RECOMMENDED
HOLE PATTERN



RoHS Compliant

MATERIAL	
BODY	BRASS
BODY PLATING	GOLD
CONTACT	BRASS
CONTACT PLATING	GOLD
DIELECTRIC	TEFLON (PTFE)
75 Ohm IMPEDANCE	
500V PEAK VOLTAGE RATING	
TEMPERATURE RANGE: -55°C TO +155°C	
INTERFACE DIMENSIONS SIMILAR TO MIL-C-39012	

MILLIMETER WAVE TECHNOLOGIES 6501 W. FRYE ROAD, #23 CHANDLER, AZ 85226		SMB MALE RIGHT ANGLE PCB MOUNT 4 LEGS 75 Ohms	
Designed by N. JAIN	Checked by W. CANON	Approved by A. LEE	File name MWB-5500-G-75
TOLERANCES DIMENSIONS ARE IN INCHES UNLESS OTHERWISE SPECIFIED DECIMALS ANGULAR .XX ± .02 ± .06 .XXX ± .005 ± .06 DO NOT SCALE THIS DRAWING		ALL DIMENSIONS ON THIS DRAWING ARE FOR REFERENCE PURPOSES ONLY AND ARE SUBJECT TO CHANGE.	
		REV. 2	Scale NONE
		DATE 041001	Sheet 1 of 1
		TITLE MWB-5500-G-75	