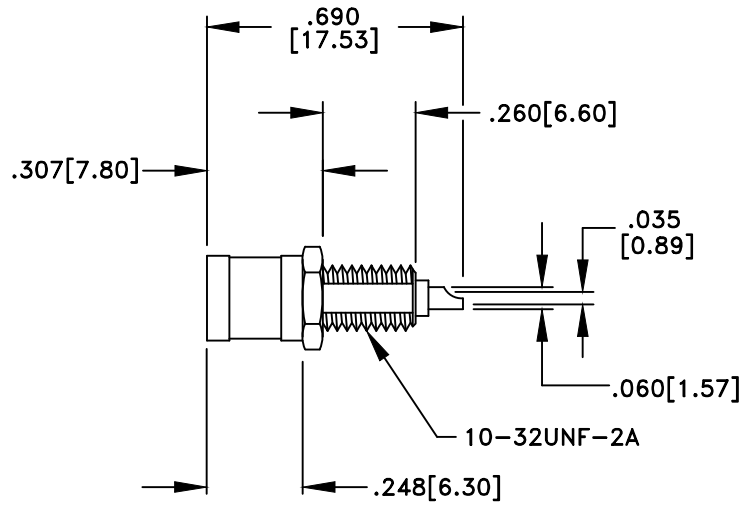
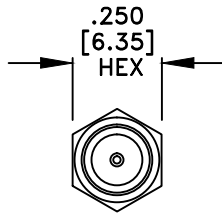
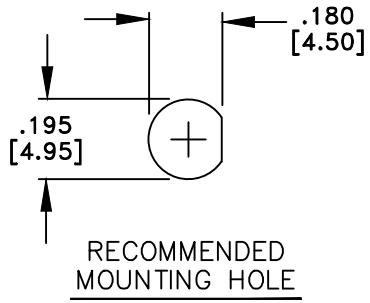


RevNo	Revision Notes	Date	Checked
1	RoHS Compliant	051005	GC
2	Flange design change	121310	GC



RoHS COMPLIANT

NOTE: INCLUDES HEX NUT & WASHER

**MATERIALS**

BODY	BRASS
BODY PLATING	NICKEL
CONTACT	BERYLLIUM COPPER
CONTACT PLATING	GOLD
DIELECTRIC	TEFLON (PTFE)

50 Ohm IMPEDANCE  
500V PEAK VOLTAGE RATING  
TEMPERATURE RANGE: -55°C TO +155°C  
INTERFACE DIMENSIONS SIMILAR TO MIL-C-39012

MILLIMETER WAVE TECHNOLOGIES 6501 W. FRYE ROAD, #23 CHANDLER, AZ 85226			SMB FEMALE PLUG BULKHEAD MOUNT w/SOLDER CUP		
Designed by P. CHEN	Checked by S. NEUGESS	Approved by A. LEE	File name MWB-1100	TITLE MWB-1100	
TOLERANCES DIMENSIONS IN INCHES UNLESS OTHERWISE SPECIFIED DECIMALS            ANGULAR .XX ± .02            ± .06 .XXX ± .005			ALL DIMENSIONS ON THIS DRAWING ARE FOR REFERENCE PURPOSES ONLY AND ARE SUBJECT TO CHANGE.		REV. 2 DATE 041103 Scale NONE Sheet 1 of 1