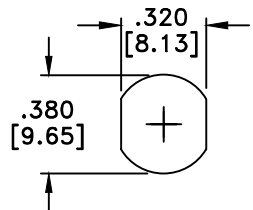
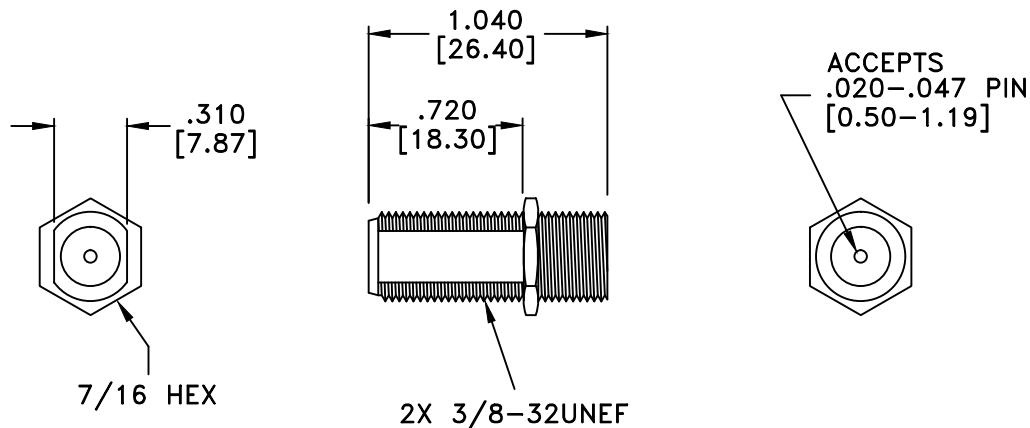


RevNo	Revision Notes	Date	Checked
1	Mounting Pattern Changed	091001	PC
2	RoHS Compliant	070605	PC



RECOMMENDED
MOUNTING HOLE



RoHS Compliant

NOTE: 3/8-32UNEF HEX NUT AND INTERNAL TOOTH LOCKWASHER INCLUDED

MATERIALS

BODY	BRASS
BODY PLATING	NICKEL
CONTACT	BRASS/BeCu
CONTACT PLATING	GOLD
DIELECTRIC	TEFLON

75 Ohm IMPEDANCE
500V PEAK VOLTAGE RATING
TEMPERATURE RANGE: -55°C TO +155°C
INTERFACE DIMENSIONS SIMILAR TO MIL-C-39012

MILLIMETER WAVE TECHNOLOGIES 6501 W. FRYE ROAD, #23 CHANDLER, AZ 85226			ADAPTOR F FEMALE BULKHEAD to F FEMALE HIGH PERFORMANCE		
Designed by N. JAIN	Checked by W. CANON	Approved by A. LEE	File name MW-872-EDD-75	TITLE MW-872-EDD-75	
TOLERANCES DIMENSIONS ARE IN INCHES UNLESS OTHERWISE SPECIFIED DECIMALS ANGULAR .XX ± .02 ± .06 .XXX ± .005 DO NOT SCALE THIS DRAWING			ALL DIMENSIONS ON THIS DRAWING ARE FOR REFERENCE PURPOSES ONLY AND ARE SUBJECT TO CHANGE.		REV. 2 DATE 062001 Scale NONE Sheet 1 of 1