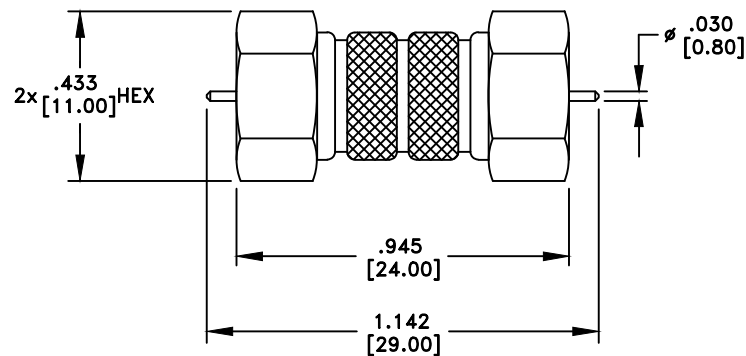


RevNo	Revision Notes	Date	Checked
1	RoHS Compliant	051005	PC



RoHS Compliant

MATERIALS

BODY	BRASS
BODY PLATING	GOLD
CONTACT	BRASS
CONTACT PLATING	GOLD
DIELECTRIC	TEFLON (PTFE)
SHELL	NICKEL

75 Ohm IMPEDANCE
 500V PEAK VOLTAGE RATING
 TEMPERATURE RANGE: -55°C TO +155°C
 INTERFACE DIMENSIONS SIMILAR TO MIL-C-39012

MILLIMETER WAVE TECHNOLOGIES 6501 W. FRYE ROAD, #23 CHANDLER, AZ 85226			ADAPTOR F PLUG to F PLUG		
Designed by P. CHEN	Checked by A. LEE	Approved by A. LEE	File name MW-869	TITLE MW-869	
TOLERANCES <small>DIMENSIONS IN INCHES UNLESS OTHERWISE SPECIFIED</small> DECIMALS .XX ± .02 .XXX ± .005 ANGULAR ± .06			ALL DIMENSIONS ON THIS DRAWING ARE FOR REFERENCE PURPOSES ONLY AND ARE SUBJECT TO CHANGE.		REV. 1 DATE 080706 Scale NONE Sheet 1 of 1