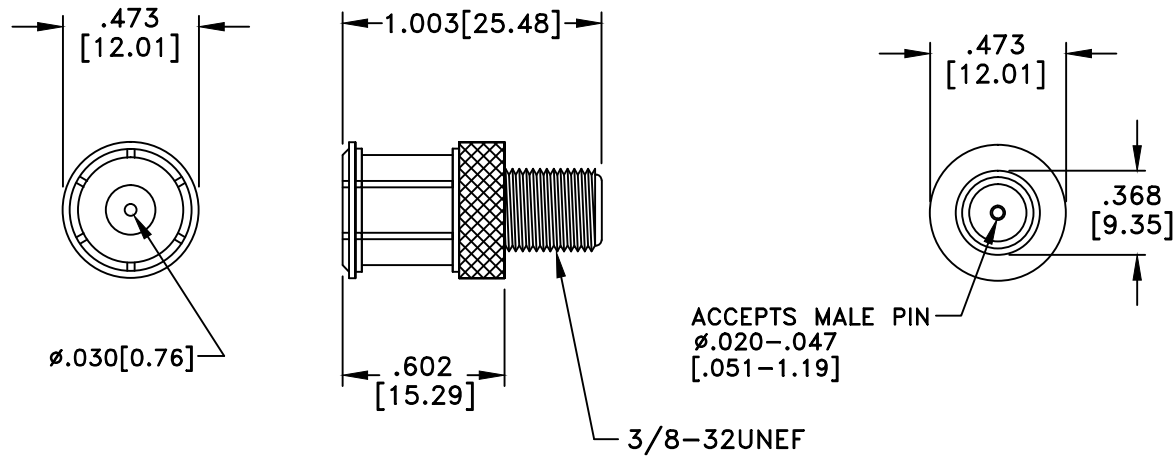


RevNo	Revision Notes	Date	Checked
1	Drawing reformatted	032901	G.C.
2	Contact changed to .035" diameter	121002	G.C.
3	Contact changed to .030" diameter	100203	G.C.
4	Overall length changed to 1.003"	111904	G.C.
5	RoHS Compliant	050105	PC



RoHS Compliant

MATERIAL	
BODY	BRASS
BODY PLATING	NICKEL
CONTACT	BRASS/BeCu
CONTACT PLATING	GOLD
DIELECTRIC	TEFLON
75 Ohm IMPEDANCE	
500V PEAK VOLTAGE RATING	
TEMPERATURE RANGE: -55°C TO +155°C	
INTERFACE DIMENSIONS SIMILAR TO MIL-C-39012	

MILLIMETER WAVE TECHNOLOGIES 6501 W. FRYE ROAD, #23 CHANDLER, AZ 85226			ADAPTOR F MALE PUSH-FIT to F FEMALE, H/P			
Designed by N. JAIN	Checked by W. CANON	Approved by A. LEE	File name MW-868-A-75	TITLE MW-868-A-75		
TOLERANCES DIMENSIONS ARE IN INCHES UNLESS OTHERWISE SPECIFIED DECIMALS ANGULAR .XX ± .02 ± .06 .XXX ± .005 DO NOT SCALE THIS DRAWING			ALL DIMENSIONS ON THIS DRAWING ARE FOR REFERENCE PURPOSES ONLY AND ARE SUBJECT TO CHANGE.		REV. 5 DATE 032901	Scale NONE Sheet 1 of 1