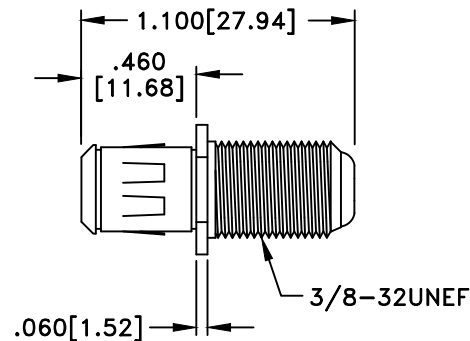
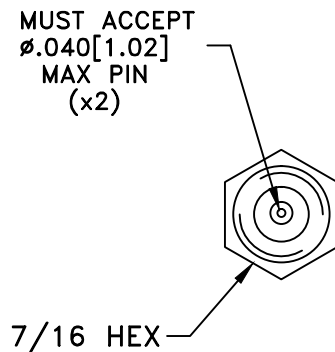
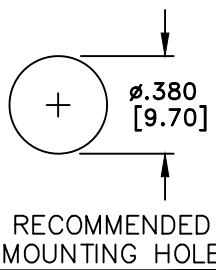


RevNo	Revision Notes	Date	Checked
1	Initial Release	051005	GC



RoHS Compliant

INCLUDES 3/8" HEX NUT & WASHER

MATERIALS	
BODY	BRASS
BODY PLATING	NICKEL
CONTACT	BRASS/BeCu
CONTACT PLATING	GOLD
DIELECTRIC	TEFLON
75 Ohm IMPEDANCE 500V PEAK VOLTAGE RATING TEMPERATURE RANGE: -55°C TO +155°C INTERFACE DIMENSIONS SIMILAR TO MIL-C-39012	

MILLIMETER WAVE TECHNOLOGIES 6501 W. FRYE ROAD, #23 CHANDLER, AZ 85226			ADAPTOR G FEMALE to F FEMALE HIGH PERFORMANCE			
Designed by N. JAIN	Checked by W. CANON	Approved by A. LEE	File name MW-818-75	TITLE MW-818-75		
TOLERANCES DIMENSIONS IN INCHES UNLESS OTHERWISE SPECIFIED DECIMALS ANGULAR .XX ± .02 ± .06 .XXX ± .005			ALL DIMENSIONS ON THIS DRAWING ARE FOR REFERENCE PURPOSES ONLY AND ARE SUBJECT TO CHANGE.		REV. 1 DATE 051005	Scale NONE Sheet 1 of 1