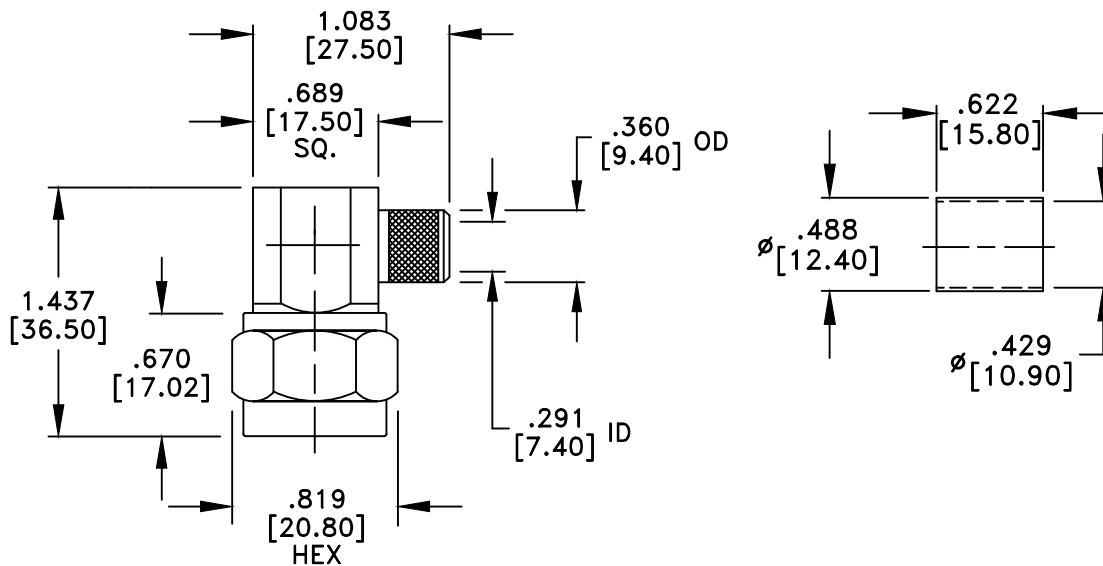
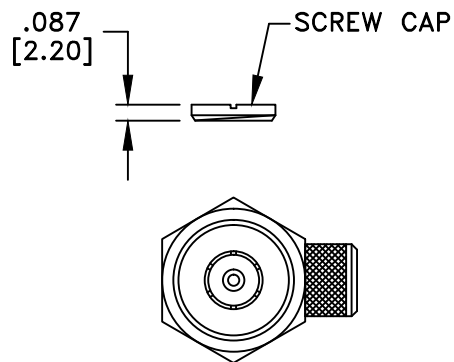
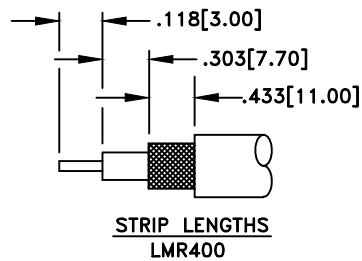


RevNo	Revision Notes	Date	Checked
1	Initial Release	103012	G.C.



MATERIALS

BODY	BRASS
BODY PLATING	NICKEL
CONTACT	BRASS
CONTACT PLATING	30u" GOLD
DIELECTRIC	TEFLON (PTFE)
GASKET	SILICONE RUBBER

50 Ohm IMPEDANCE
500V PEAK VOLTAGE RATING
TEMPERATURE RANGE: -55°C TO +155°C
INTERFACE DIMENSIONS SIMILAR TO MIL-C-39012

MILLIMETER WAVE TECHNOLOGIES
6501 W. FRYE ROAD, #23
CHANDLER, AZ 85226

N MALE R/A CRIMP CABLE END
for LMR400

Designed by
G. COLEMERE

Checked by
S. NEUGESS

Approved by
A. LEE

File name
MW-355-H-L400

TITLE
MW-355-H-L400

TOLERANCES
DIMENSIONS IN INCHES UNLESS OTHERWISE SPECIFIED
DECIMALS ANGULAR
.XX ± .02 ± .06
.XXX ± .005

ALL DIMENSIONS ON THIS DRAWING ARE FOR REFERENCE
PURPOSES ONLY AND ARE SUBJECT TO CHANGE.

REV. 1	Scale NONE
DATE 103012	Sheet 1 of 1