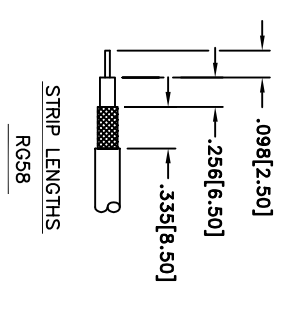


RevNo	Revision Notes	Date	Checked
1	Initial Release	04/25/05	PC

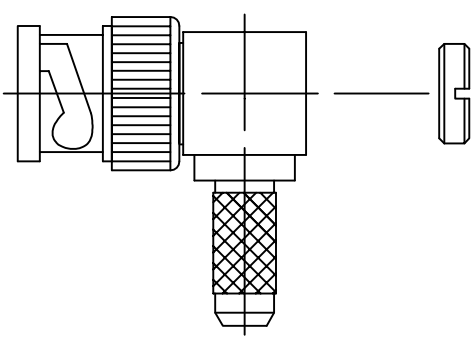


RoHS Compliant

MATERIALS

BODY	BRASS
BODY PLATING	NICKEL
CONTACT	BRASS
CONTACT PLATING	GOLD
DIELECTRIC	TEFLON (PTFE)
GASKET	SILICONE

50 Ohm IMPEDANCE
 500V PEAK VOLTAGE RATING
 TEMPERATURE RANGE: -55°C TO +155°C
 INTERFACE DIMENSIONS MEET MIL-C-39012



MILLIMETER WAVE TECHNOLOGIES
 6501 W. FRYE ROAD, #23
 CHANDLER, AZ 85226

BNC MALE R/A
 CRIMP CABLE END
 for RG58, LMR195

Designed by P. CHEN	Checked by S. NEUGEISS	Approved by A. LEE	File name MW-266-R-58	TITLE MW-266-R-58
------------------------	---------------------------	-----------------------	--------------------------	----------------------

DIMENSIONS IN INCHES UNLESS OTHERWISE SPECIFIED DECIMALS .XX ± .02 .XXX ± .005		TOLERANCES ANGULAR ± .06		ALL DIMENSIONS ON THIS DRAWING ARE FOR REFERENCE PURPOSES ONLY AND ARE SUBJECT TO CHANGE.	REV. 1	Scale NONE
					DATE 04/10/05	Sheet 1 of 1