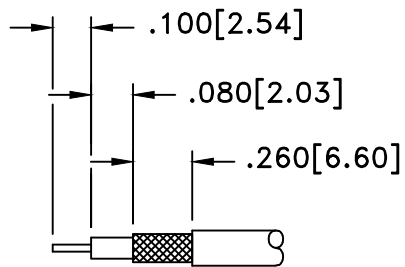
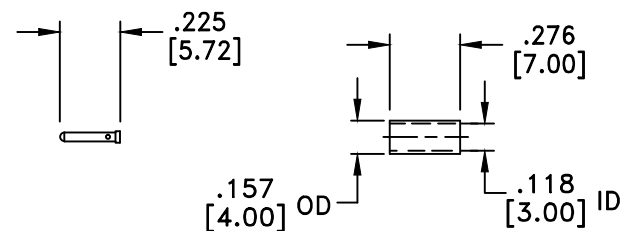
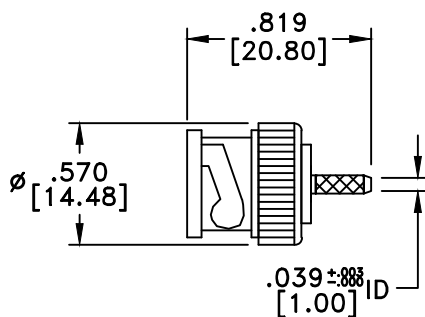


RevNo	Revision Notes	Date	Checked
1	Initial Release	061005	GC



STRIP LENGTHS  
M17/93-RG178



RoHS Compliant

### MATERIALS

BODY	BRASS
BODY PLATING	NICKEL
CONTACT	BRASS
CONTACT PLATING	GOLD
DIELECTRIC	TEFLON

50 Ohm IMPEDANCE  
500V PEAK VOLTAGE RATING  
TEMPERATURE RANGE: -55°C TO +155°C  
INTERFACE DIMENSIONS SIMILAR TO MIL-C-39012

MILLIMETER WAVE TECHNOLOGIES  
6501 W. FRYE ROAD, #23  
CHANDLER, AZ 85226

BNC PLUG CRIMP CABLE END  
for RG178

Designed by P. CHEN	Checked by N.JAIN	Approved by A. LEE	File name MW-266-178	TITLE MW-266-178
------------------------	----------------------	-----------------------	-------------------------	---------------------

TOLERANCES  
DIMENSIONS IN INCHES UNLESS OTHERWISE SPECIFIED  
DECIMALS ANGULAR  
.XX ± .02 ± .06  
.XXX ± .005

ALL DIMENSIONS ON THIS DRAWING ARE FOR REFERENCE  
PURPOSES ONLY AND ARE SUBJECT TO CHANGE.

REV. 1	Scale NONE
DATE 061005	Sheet 1 of 1