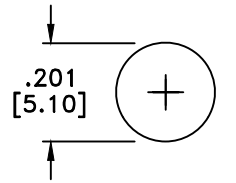
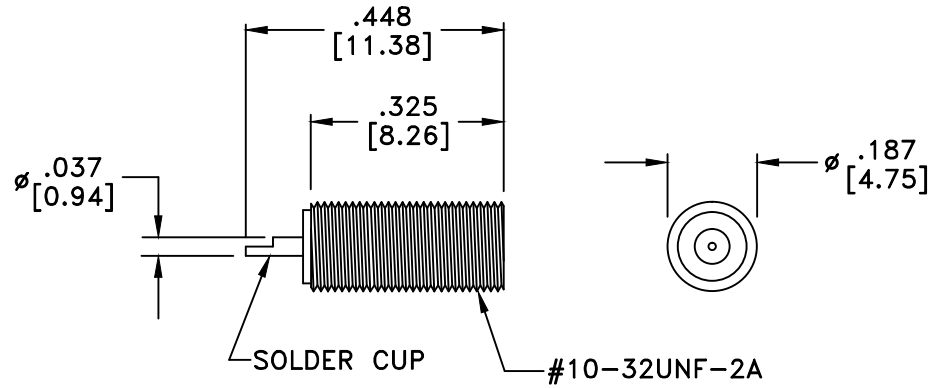


RevNo	Revision Notes	Date	Checked
1	Mounting Pattern Changed	091001	PC
2	RoHS Compliant	070605	PC



RECOMMENDED  
MOUNTING HOLE



RoHS Compliant

INCLUDES:

- (2) 6.35mm HEX NUTS
- (1) INTERNAL TOOTH LOCKWASHER

MATERIALS

BODY	BRASS
BODY PLATING	GOLD
CONTACT	BERYLLIUM COPPER
CONTACT PLATING	GOLD
DIELECTRIC	TEFLON

50 Ohm IMPEDANCE  
500V PEAK VOLTAGE RATING  
TEMPERATURE RANGE: -55°C TO +155°C  
INTERFACE DIMENSIONS SIMILAR TO MIL-C-39012

MILLIMETER WAVE TECHNOLOGIES 6501 W. FRYE ROAD, #23 CHANDLER, AZ 85226			MMCX JACK FEEDTHRU BULKHEAD PANEL MOUNT		
Designed by N. JAIN	Checked by W. CANON	Approved by A. LEE	File name MWXX-4800-G	TITLE MWXX-4800-G	
<p>TOLERANCES DIMENSIONS ARE IN INCHES UNLESS OTHERWISE SPECIFIED</p> <p>DECIMALS      ANGULAR</p> <p>.XX ± .02      ± .06</p> <p>.XXX ± .005</p> <p>DO NOT SCALE THIS DRAWING</p>			ALL DIMENSIONS ON THIS DRAWING ARE FOR REFERENCE PURPOSES ONLY AND ARE SUBJECT TO CHANGE.		<p>REV. 2</p> <p>DATE 062001</p> <p>Scale NONE</p> <p>Sheet 1 of 1</p>