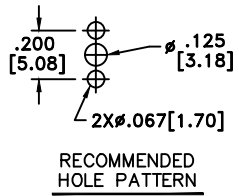
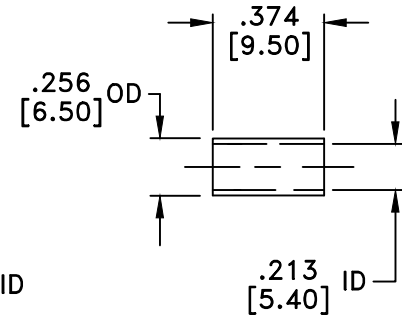
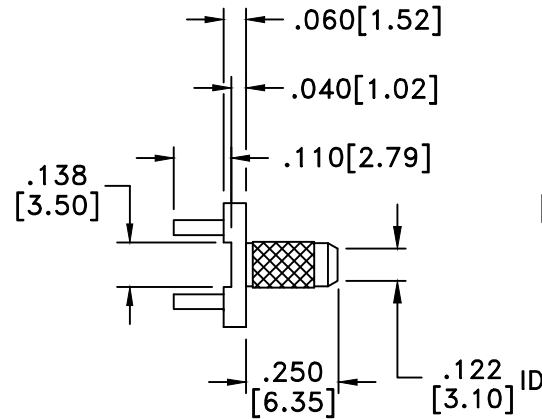
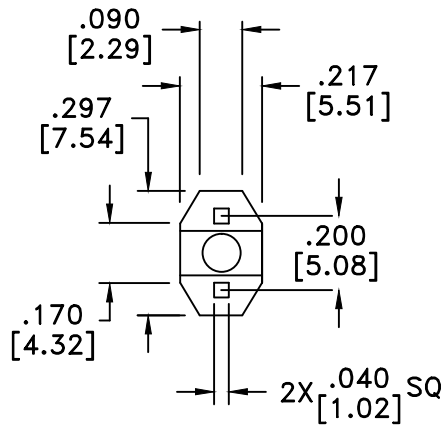


STRIP LENGTHS
M17/155-00001 RG58

RevNo	Revision Notes	Date	Checked
1	Initial Release	061516	GC
2	Flange shape changed; Hole Pattern corrected	062216	GC
3	Flange dimensions clarified	062416	GC



RECOMMENDED
HOLE PATTERN



RoHS Compliant

MATERIALS

BODY	BRASS
BODY PLATING	GOLD
CONTACT	SEE CABLE SPECS
CONTACT PLATING	SEE CABLE SPECS
DIELECTRIC	SEE CABLE SPECS

SEE CABLE SPECS for IMPEDANCE
500V PEAK VOLTAGE RATING
TEMPERATURE RANGE: -55°C TO +155°C
INTERFACE DIMENSIONS SIMILAR TO MIL-C-39012

MILLIMETER WAVE TECHNOLOGIES 6501 W. FRYE ROAD, #23 CHANDLER, AZ 85226		CABLE TERMINATION TWO-LEG VERTICAL PCB MOUNT FEEDTHRU for RG58		
Designed by P. CHEN	Checked by S. NEUGESS	Approved by A. LEE	File name MWT-2110G-58	TITLE MWT-2110G-58
TOLERANCES <small>DIMENSIONS IN INCHES UNLESS OTHERWISE SPECIFIED</small> DECIMALS .XX ± .02 .XXX ± .005 ANGULAR ± .06		ALL DIMENSIONS ON THIS DRAWING ARE FOR REFERENCE PURPOSES ONLY AND ARE SUBJECT TO CHANGE.		REV. 3 DATE 061516 Scale NONE Sheet 1 of 1