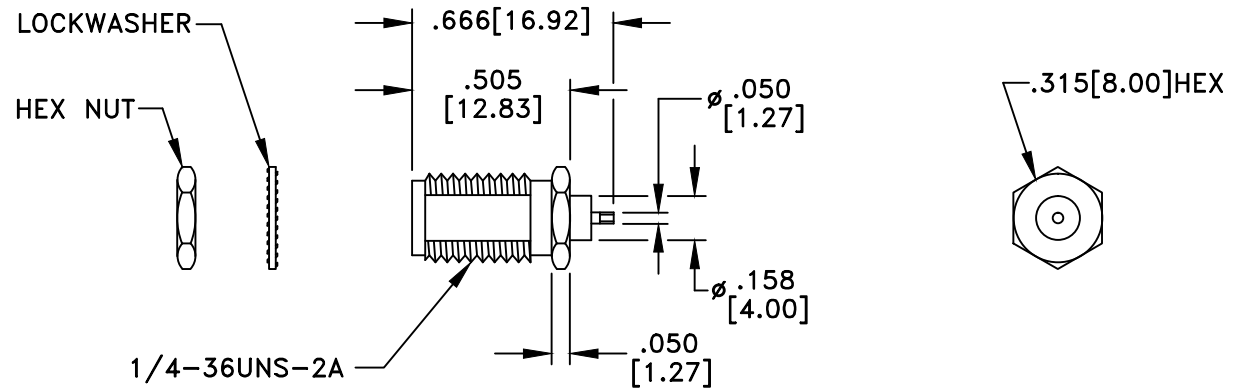
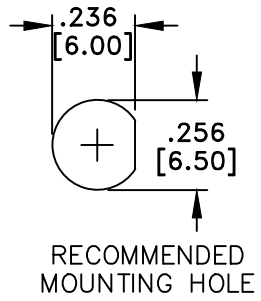


RevNo	Revision Notes	Date	Checked
1	RoHS Compliant	050205	GC



RoHS Compliant

MATERIALS

BODY	BRASS
BODY PLATING	GOLD
CONTACT	BERYLLIUM COPPER
CONTACT PLATING	GOLD
DIELECTRIC	TEFLON (PTFE)

50 Ohm IMPEDANCE
 500V PEAK VOLTAGE RATING
 TEMPERATURE RANGE: -55°C TO +155°C
 INTERFACE DIMENSIONS SIMILAR TO MIL-C-39012

MILLIMETER WAVE TECHNOLOGIES
 6501 W. FRYE ROAD, #23
 CHANDLER, AZ 85226

SMA JACK BULKHEAD
 PANEL MOUNT w/SOLDER CUP

Designed by P. CHEN	Checked by S. NEUGESS	Approved by A. LEE	File name MWA-6040-G	TITLE MWA-6040-G
TOLERANCES <small>DIMENSIONS IN INCHES UNLESS OTHERWISE SPECIFIED</small> DECIMALS .XX ± .02 .XXX ± .005		ALL DIMENSIONS ON THIS DRAWING ARE FOR REFERENCE PURPOSES ONLY AND ARE SUBJECT TO CHANGE.		REV. 1 DATE 112102 Scale NONE Sheet 1 of 1