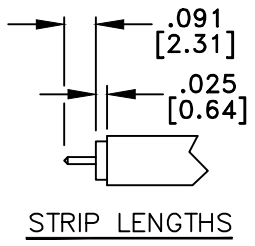
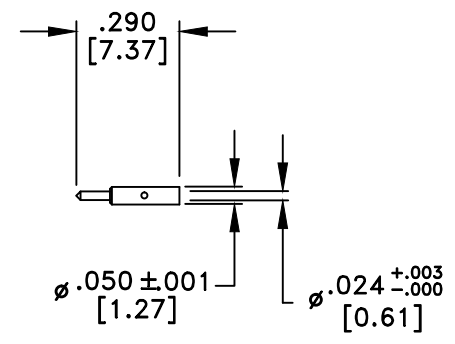
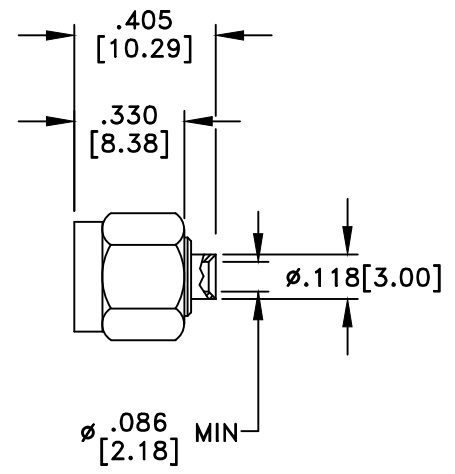
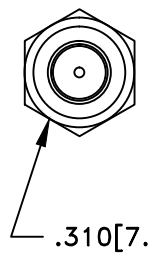


RevNo	Revision Notes	Date	Checked
1	RoHS Compliant	050105	PC



STRIP LENGTHS



RoHS Compliant

**MATERIALS**

BODY	STAINLESS STEEL
BODY PLATING	PASSIVATED
SOLDER SHANK PLATING	GOLD
CONTACT	BRASS
CONTACT PLATING	GOLD
DIELECTRIC	TEFLON (PTFE)
RETAINING RING	BERYLLIUM COPPER
GASKET	SILICONE RUBBER

50 Ohm IMPEDANCE  
 500V PEAK VOLTAGE RATING  
 TEMPERATURE RANGE: -55°C TO +155°C  
 INTERFACE DIMENSIONS SIMILAR TO MIL-C-39012

MILLIMETER WAVE TECHNOLOGIES 6501 W. FRYE ROAD, #23 CHANDLER, AZ 85226			SMA MALE STRAIGHT CABLE END for .086" SEMI-RIGID			
Designed by N. JAIN	Checked by S. NEUGESS	Approved by A. LEE	File name MWA-6010AS-086	TITLE MWA-6010AS-086		
TOLERANCES <small>DIMENSIONS IN INCHES UNLESS OTHERWISE SPECIFIED</small> DECIMALS .XX ± .02 .XXX ± .005			ALL DIMENSIONS ON THIS DRAWING ARE FOR REFERENCE PURPOSES ONLY AND ARE SUBJECT TO CHANGE.		REV. 1 DATE 052001	Scale NONE Sheet 1 of 1