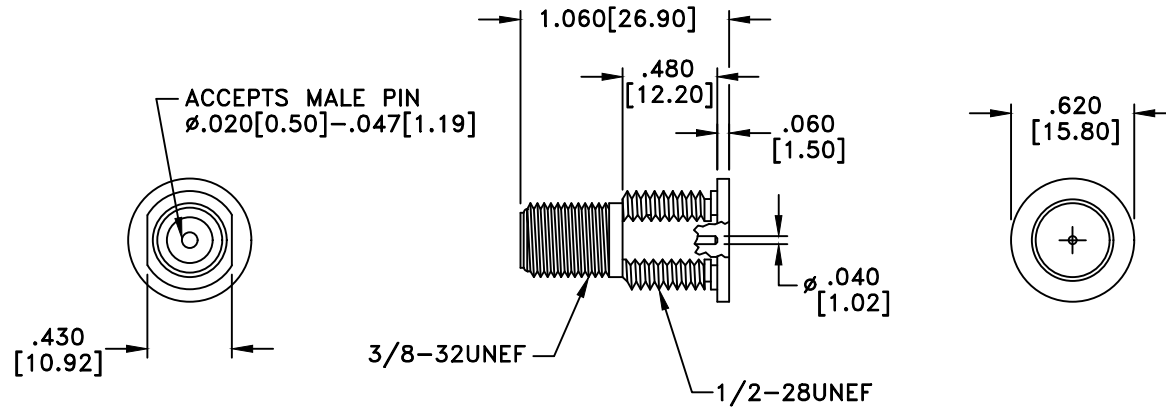
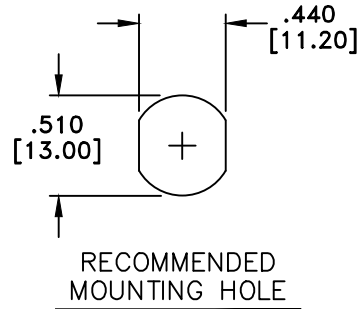


RevNo	Revision Notes	Date	Checked
1	RoHS Compliant	052005	PC
2	OD changed to .630"	061008	PC



RoHS Compliant

MATERIALS

BODY	BRASS
BODY PLATING	BRIGHT ACID TIN
CONTACT	BERYLLIUM COPPER
CONTACT PLATING	BRIGHT ACID TIN/GOLD
DIELECTRIC	TEFLON (PTFE)

75 Ohm IMPEDANCE
 500V PEAK VOLTAGE RATING
 TEMPERATURE RANGE: -55°C TO +155°C
 INTERFACE DIMENSIONS SIMILAR TO MIL-C-39012

MILLIMETER WAVE TECHNOLOGIES
 6501 W. FRYE ROAD, #23
 CHANDLER, AZ 85226

ADAPTOR
 G MALE TO F FEMALE
 CHASSIS MOUNT
 HIGH PERFORMANCE

Designed by N. JAIN	Checked by W. CANON	Approved by A. LEE	File name MW-873-75	TITLE MW-873-75
TOLERANCES DIMENSIONS ARE IN INCHES UNLESS OTHERWISE SPECIFIED DECIMALS ANGULAR .XX ± .02 ± .06 .XXX ± .005 ± .01 DO NOT SCALE THIS DRAWING		ALL DIMENSIONS ON THIS DRAWING ARE FOR REFERENCE PURPOSES ONLY AND ARE SUBJECT TO CHANGE.		REV. 2 DATE 042601 Scale NONE Sheet 1 of 1