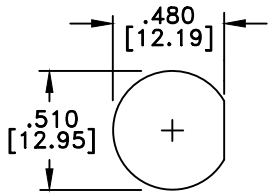
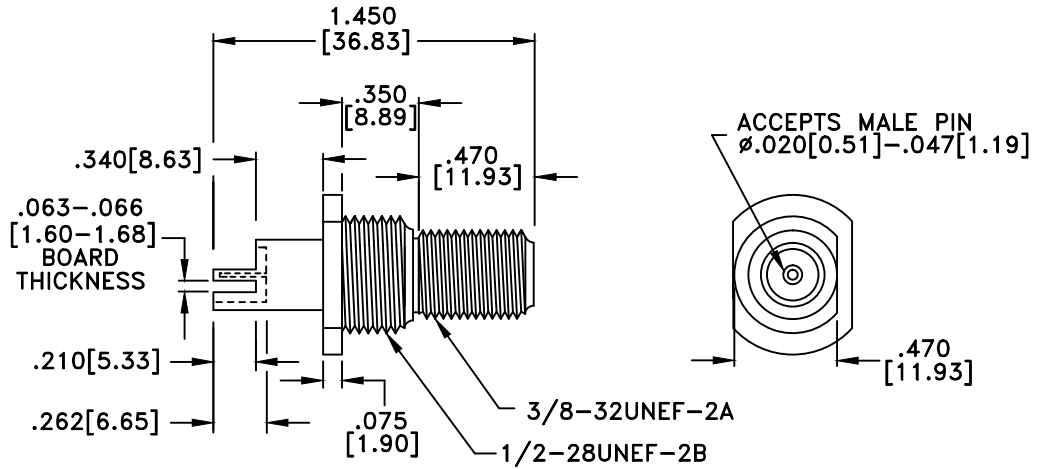
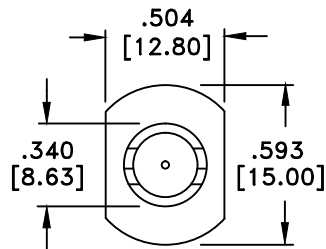


RevNo	Revision Notes	Date	Checked
1	RoHS Compliant	04/09/05	GC



RECOMMENDED MOUNTING HOLE



RoHS Compliant

NOTES: D FLAT ON FAR SIDE OF 1/2" THREADS  
INCLUDES HEX NUT & INTERNAL TOOTH LOCKWASHER

### MATERIALS

BODY	BRASS
BODY PLATING	NICKEL
CONTACT	BRASS/BeCu
CONTACT PLATING	GOLD
DIELECTRIC	TEFLON (PTFE)

75 Ohm IMPEDANCE  
500V PEAK VOLTAGE RATING  
TEMPERATURE RANGE: -55°C TO +155°C  
INTERFACE DIMENSIONS SIMILAR TO MIL-C-39012

MILLIMETER WAVE TECHNOLOGIES  
1833 W. MAIN STREET, #140  
MESA, AZ 85201

F FEMALE BULKHEAD  
PCB EDGE MOUNT  
HIGH PERFORMANCE

Designed by G.COLEMERE	Checked by W. CANON	Approved by A. LEE	File name MW-846-IJQF	TITLE MW-846-IJQF
<b>TOLERANCES</b> <small>DIMENSIONS IN INCHES UNLESS OTHERWISE SPECIFIED</small> DECIMALS                      ANGULAR .XX ± .02                              ± .06 .XXX ± .005		ALL DIMENSIONS ON THIS DRAWING ARE FOR REFERENCE PURPOSES ONLY AND ARE SUBJECT TO CHANGE.		REV. 1 DATE 11/27/01 Scale NONE Sheet 1 of 1