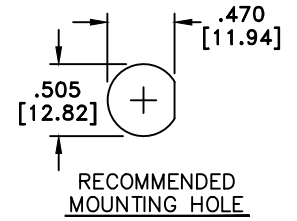
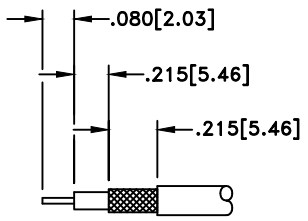
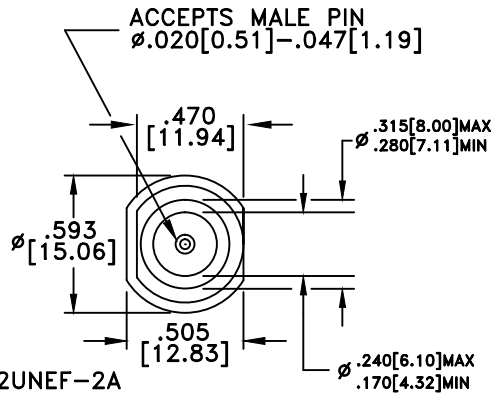
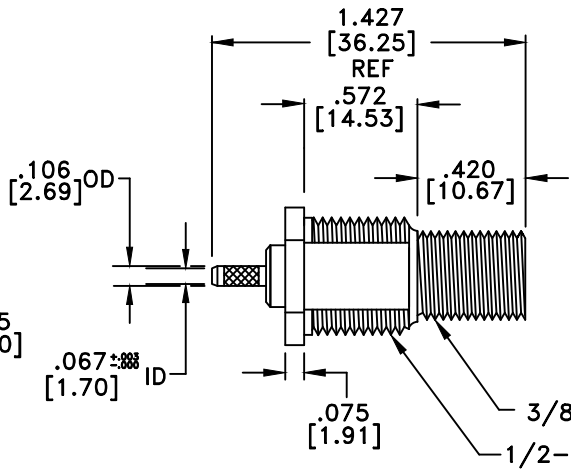
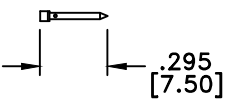
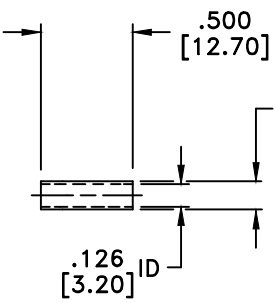


RevNo	Revision Notes	Date	Checked
1	Initial Release	110209	GC
2	Ferrule dimensions updated	061215	GC
3	Ferrule dimensions updated	070215	GC



STRIP LENGTHS
M17/94-RG179



RoHS Compliant

NOTES: SUPPLIED W/ 1/2" HEX NUT & LOCKWASHER

MATERIALS	
BODY	BRASS
BODY PLATING	NICKEL
CONTACT	BRASS/BeCu
CONTACT PLATING	GOLD
DIELECTRIC	TEFLON (PTFE)
75 Ohm IMPEDANCE	
500V PEAK VOLTAGE RATING	
TEMPERATURE RANGE: -55°C TO +155°C	
INTERFACE DIMENSIONS SIMILAR TO MIL-C-39012	

MILLIMETER WAVE TECHNOLOGIES 6501 W. FRYE RD., #23 CHANDLER, AZ 85226			F FEMALE BULKHEAD HIGH PERFORMANCE for RG179			
Designed by G.COLEMERE	Checked by C.HARTWELL	Approved by A. LEE	File name MW-822-179-75DC	TITLE MW-822-179-75DC		
TOLERANCES DIMENSIONS IN INCHES UNLESS OTHERWISE SPECIFIED DECIMALS ANGULAR .XX ± .02 ± .06 .XXX ± .005			ALL DIMENSIONS ON THIS DRAWING ARE FOR REFERENCE PURPOSES ONLY AND ARE SUBJECT TO CHANGE.		REV. 3 DATE 110209	Scale NONE Sheet 1 of 1