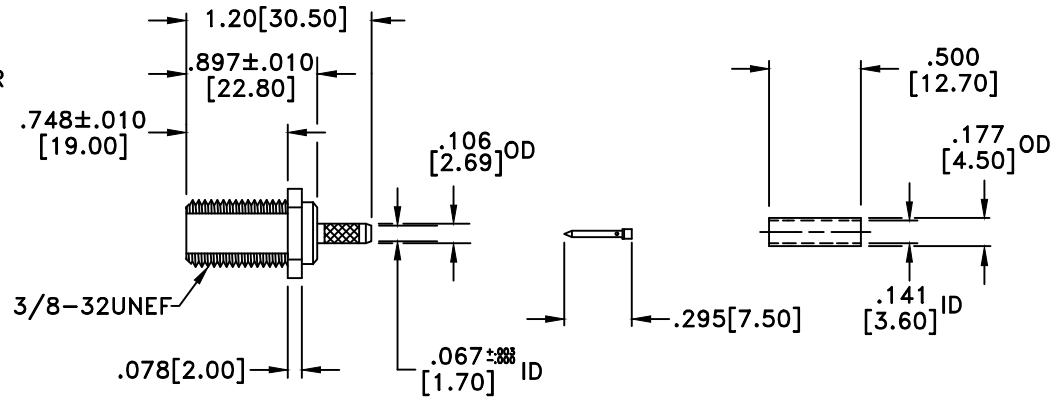
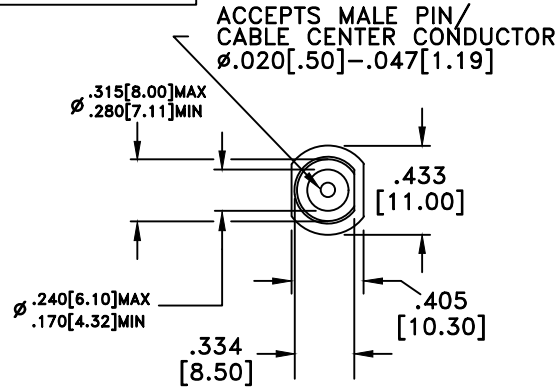


STRIP LENGTHS
RD179

RevNo	Revision Notes	Date	Checked
1	Ferrule ID Changed to .125"; Part Description Clarified to Reflect Flat Nose	072501	A.L.
2	Shank and Ferrule ID/OD's Added or Clarified	081601	A.L.
3	Nose Flat Diameters Added; Chamfer Drawn	102401	G.C.
4	Shank ID Changed to .067"	090604	G.C.
5	Shank ID Tolerance Added	092704	G.C.
6	Barrel length Tolerance Added	010705	G.C.
7	RoHS Compliant	041305	PC



RoHS Compliant

MATERIAL	
BODY	BRASS
BODY PLATING	NICKEL
CONTACT	BRASS/BeCu
CONTACT PLATING	GOLD
DIELECTRIC	TEFLON (PTFE)
75 Ohm IMPEDANCE	
500V PEAK VOLTAGE RATING	
TEMPERATURE RANGE: -55°C TO +155°C	
INTERFACE DIMENSIONS SIMILAR TO MIL-C-39012	

MILLIMETER WAVE TECHNOLOGIES 6501 W. FRYE ROAD, #23 CHANDLER, AZ 85226		HIGH PERFORMANCE F FEMALE BULKHEAD CABLE END for RD179 FLAT NOSE	
Designed by N. JAIN	Checked by W. CANON	Approved by A. LEE	File name MW-820D17975DEA
TOLERANCES <small>DIMENSIONS IN INCHES UNLESS OTHERWISE SPECIFIED</small> DECIMALS .XX ± .02 .XXX ± .005 ANGULAR ± .06		TITLE MW-820D17975DEA ALL DIMENSIONS ON THIS DRAWING ARE FOR REFERENCE PURPOSES ONLY AND ARE SUBJECT TO CHANGE.	
		REV. 7	Scale NONE
		DATE 052901	Sheet 1 of 1