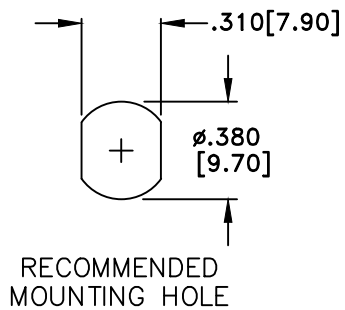


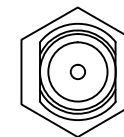
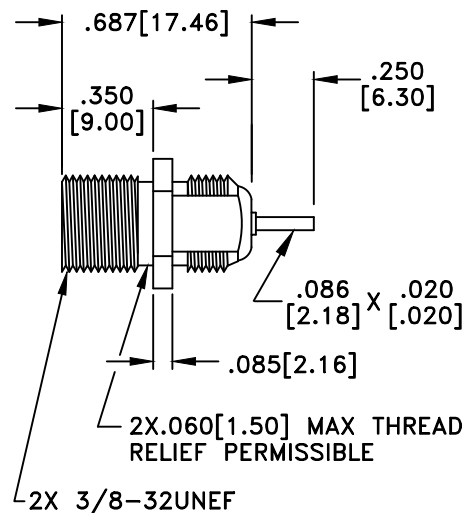
RevNo	Revision Notes	Date	Checked
1	RoHS Compliant	051505	PC



MUST ACCEPT A
 ϕ .040[1.02]
 MAX PIN



7/16 HEX



RoHS Compliant

MATERIALS

BODY	BRASS
BODY PLATING	NICKEL
CONTACT	BRASS/BeCU
CONTACT PLATING	GOLD
DIELECTRIC	TEFLON

75 Ohm IMPEDANCE
 500V PEAK VOLTAGE RATING
 TEMPERATURE RANGE: -55°C TO +155°C
 INTERFACE DIMENSIONS SIMILAR TO MIL-C-39012

MILLIMETER WAVE TECHNOLOGIES
 6501 W. FRYE ROAD, #23
 CHANDLER, AZ 85226

HIGH PERFORMANCE F
 FEMALE CHASSIS MOUNT
 w/SOLDER TAB

Designed by N. JAIN	Checked by W. CANON	Approved by A. LEE	File name MW-819-DD-75	TITLE MW-819-DD-75	
TOLERANCES DIMENSIONS IN INCHES UNLESS OTHERWISE SPECIFIED DECIMALS ANGULAR .XX ± .02 ± .06 .XXX ± .005				REV. 1 DATE 102203	Scale NONE Sheet 1 of 1
ALL DIMENSIONS ON THIS DRAWING ARE FOR REFERENCE PURPOSES ONLY AND ARE SUBJECT TO CHANGE.					