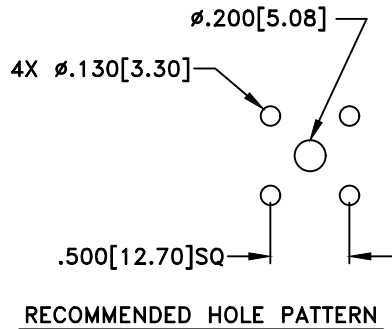
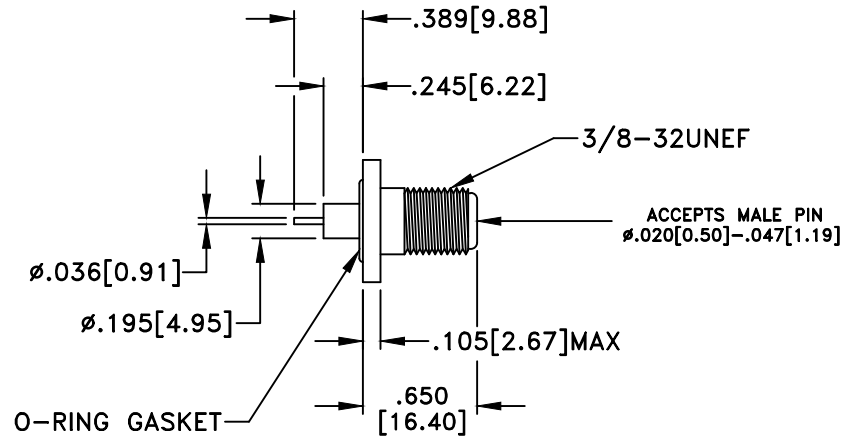
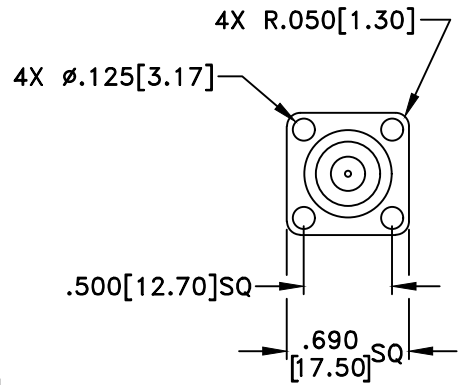


RevNo	Revision Notes	Date	Checked
1	RoHS Compliant	051405	GC
2	Male pin diameter range called out	081408	GC
3	Electrical data added	030413	GC



RoHS Compliant



MATERIALS

BODY	BRASS
BODY PLATING	NICKEL
CONTACT	BRASS/BeCu
CONTACT PLATING	GOLD
DIELECTRIC	TEFLON
GASKET	VITON

75 Ohm IMPEDANCE
 500V PEAK VOLTAGE RATING
 TEMPERATURE RANGE: -55°C TO +155°C
 INTERFACE DIMENSIONS MEET MIL-C-39012
 FREQUENCY RANGE: 0-3 GHz
 RETURN LOSS:
 0.3 GHz -53.494 dB
 1.0 GHz -39.948 dB
 1.5 GHz -39.605 dB
 2.0 GHz -37.968 dB
 2.5 GHz -42.692 dB
 3.0 GHz -24.595 dB

MILLIMETER WAVE TECHNOLOGIES 6501 W. FRYE ROAD, #23 CHANDLER, AZ 85226			HIGH PERFORMANCE F FEMALE FLANGE MOUNT 4 HOLE EXTENDED DIELECTRIC		
Designed by N. JAIN	Checked by W. CANON	Approved by A. LEE	File name MW-802-H-75	TITLE MW-802-H-75	
TOLERANCES <small>DIMENSIONS IN INCHES UNLESS OTHERWISE SPECIFIED</small> DECIMALS ± .02 .XXX ± .005 ANGULAR ± .06			ALL DIMENSIONS ON THIS DRAWING ARE FOR REFERENCE PURPOSES ONLY AND ARE SUBJECT TO CHANGE.		REV. 3 DATE 060601 Scale NONE Sheet 1 of 1