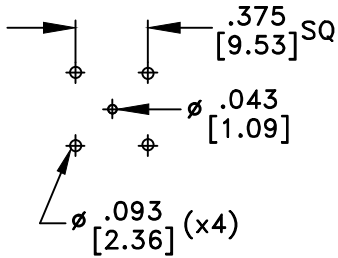
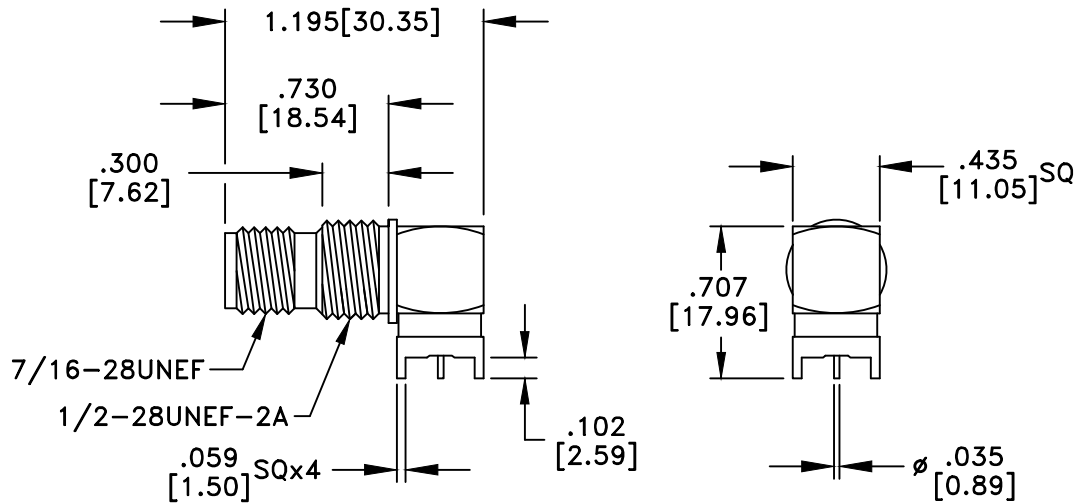


RevNo	Revision Notes	Date	Checked
1	RoHS Compliant	052005	PC
2	Hole Pattern diameters changed	043009	GC



RECOMMENDED
HOLE PATTERN



RoHS Compliant

MATERIALS

BODY	BRASS
BODY PLATING	NICKEL
CONTACT	PHOSPHOR BRONZE
CONTACT PLATING	GOLD
DIELECTRIC	TEFLON(PTFE)

50 Ohm IMPEDANCE
500V PEAK VOLTAGE RATING
TEMPERATURE RANGE: -55°C TO $+155^{\circ}\text{C}$
INTERFACE DIMENSIONS SIMILAR TO MIL-C-39012

MILLIMETER WAVE TECHNOLOGIES
6501 W. FRYE ROAD, #23
CHANDLER, AZ 85226

TNC JACK BULKHEAD
R/A PCB MOUNT

Designed by P. CHEN	Checked by S. NEUGESS	Approved by A. LEE	File name MW-713	TITLE MW-713
------------------------	--------------------------	-----------------------	---------------------	-----------------

TOLERANCES DIMENSIONS IN INCHES UNLESS OTHERWISE SPECIFIED DECIMALS ANGULAR $.XX \pm .02$ $\pm .06$ $.XXX \pm .005$	ALL DIMENSIONS ON THIS DRAWING ARE FOR REFERENCE PURPOSES ONLY AND ARE SUBJECT TO CHANGE.	REV. 2	Scale NONE
		DATE 062203	Sheet 1 of 1