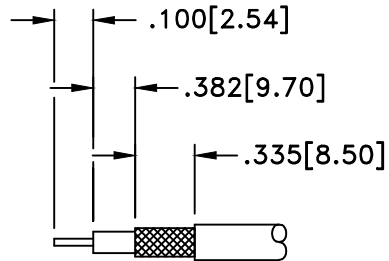
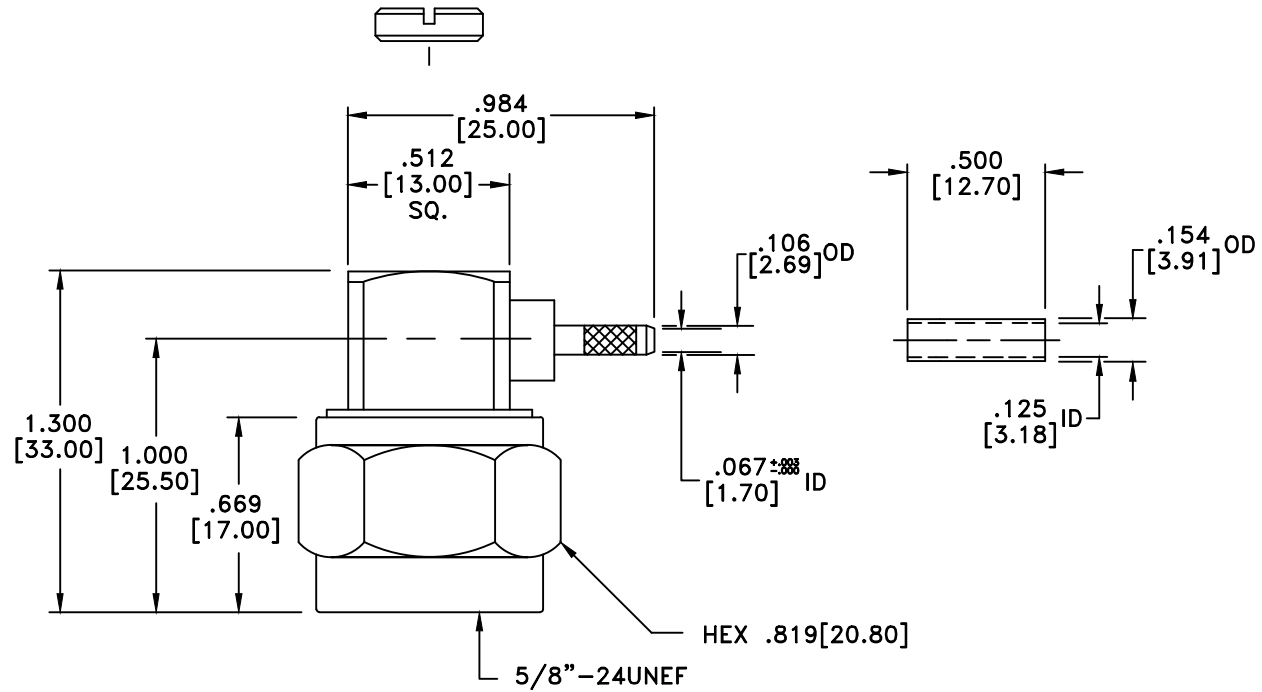


RevNo	Revision Notes	Date	Checked
1	Initial Release	080505	G.C.



STRIP LENGTHS
M17/113-RG316



MATERIALS

BODY	BRASS
BODY PLATING	NICKEL
CONTACT	BRASS
CONTACT PLATING	GOLD
DIELECTRIC	TEFLON (PTFE)
GASKET	SILICONE RUBBER

50 Ohm IMPEDANCE
500V PEAK VOLTAGE RATING
TEMPERATURE RANGE: -55°C TO +155°C
INTERFACE DIMENSIONS SIMILAR TO MIL-C-39012

MILLIMETER WAVE TECHNOLOGIES
6501 W. FRYE ROAD, #23
CHANDLER, AZ 85226

N MALE R/A CRIMP CABLE END
for RG316

Designed by G. COLEMERE	Checked by S. NEUGESS	Approved by A. LEE	File name MW-350-RH-316	TITLE MW-350-RH-316	
TOLERANCES <small>DIMENSIONS IN INCHES UNLESS OTHERWISE SPECIFIED</small> DECIMALS ANGULAR .XX ± .02 ± .06 .XXX ± .005		ALL DIMENSIONS ON THIS DRAWING ARE FOR REFERENCE PURPOSES ONLY AND ARE SUBJECT TO CHANGE.		REV. 1 DATE 080505	Scale NONE Sheet 1 of 1