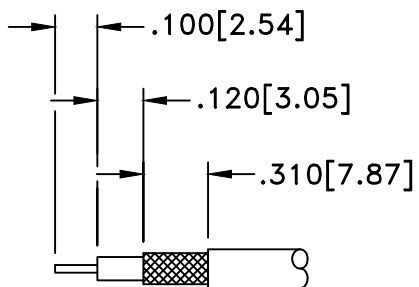
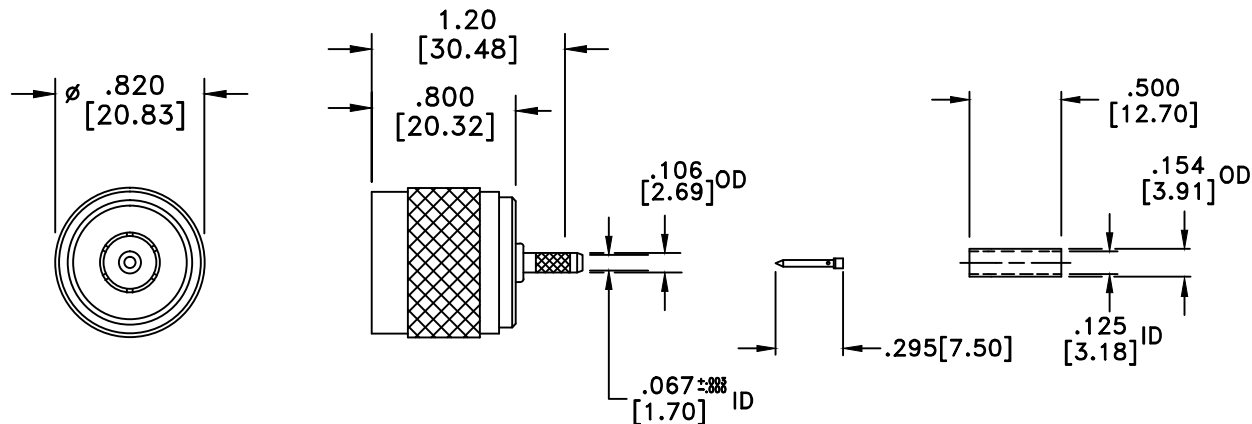


RevNo	Revision Notes	Date	Checked
1	Initial Release	081004	PC



STRIP LENGTHS



RoHS COMPLIANT

MATERIALS

BODY	BRASS
BODY PLATING	NICKEL
CONTACT	BRASS
CONTACT PLATING	GOLD
DIELECTRIC	TEFLON (PTFE)
GASKET	SILICONE RUBBER

50 Ohm IMPEDANCE
 500V PEAK VOLTAGE RATING
 TEMPERATURE RANGE: -55°C TO +155°C
 INTERFACE DIMENSIONS SIMILAR TO MIL-C-39012

MILLIMETER WAVE TECHNOLOGIES
 6501 W. FRYE ROAD, #23
 CHANDLER, AZ 85226

N PLUG CRIMP CABLE END
 for RG316

Designed by P. CHEN	Checked by S. NEUGESS	Approved by A. LEE	File name MW-350-316	TITLE MW-350-316
TOLERANCES <small>DIMENSIONS IN INCHES UNLESS OTHERWISE SPECIFIED</small> DECIMALS ANGULAR .XX ± .02 ± .06 .XXX ± .005				ALL DIMENSIONS ON THIS DRAWING ARE FOR REFERENCE PURPOSES ONLY AND ARE SUBJECT TO CHANGE.
				REV. 1 DATE 081004 Scale NONE Sheet 1 of 1