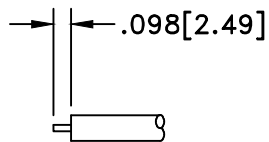
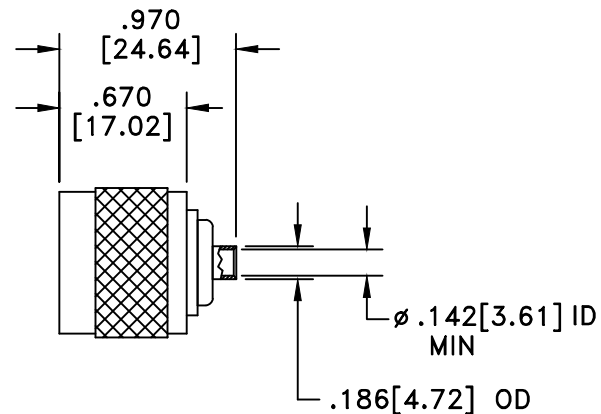
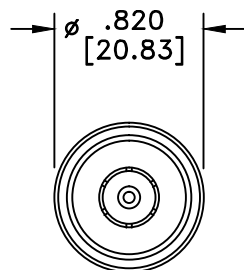


| RevNo | Revision Notes | Date | Checked |
|-------|-----------------|--------|---------|
| 1 | Initial Release | 081004 | PC |



STRIP LENGTH
M17/130-RG402



RoHS COMPLIANT

MATERIALS

| | |
|-----------------|---------------|
| BODY | BRASS |
| BODY PLATING | NICKEL |
| CONTACT | BRASS |
| CONTACT PLATING | GOLD |
| DIELECTRIC | TEFLON (PTFE) |
| SHANK PLATING | GOLD |

50 Ohm IMPEDANCE
500V PEAK VOLTAGE RATING
TEMPERATURE RANGE: -55°C TO +155°C
INTERFACE DIMENSIONS SIMILAR TO MIL-C-39012

MILLIMETER WAVE TECHNOLOGIES
6501 W. FRYE ROAD, #23
CHANDLER, AZ 85226

N MALE SOLDER CABLE END
for RG402
.141" SEMI-RIGID

Designed by
P. CHEN

Checked by
S. NEUGESS

Approved by
A. LEE

File name
MW-350-141

TITLE
MW-350-141

TOLERANCES
DIMENSIONS IN INCHES UNLESS OTHERWISE SPECIFIED
DECIMALS ANGULAR
.XX ± .02 ± .06
.XXX ± .005

ALL DIMENSIONS ON THIS DRAWING ARE FOR REFERENCE
PURPOSES ONLY AND ARE SUBJECT TO CHANGE.

| | |
|----------------|-----------------|
| REV. 1 | Scale NONE |
| DATE 081004 | Sheet 1 of 1 |