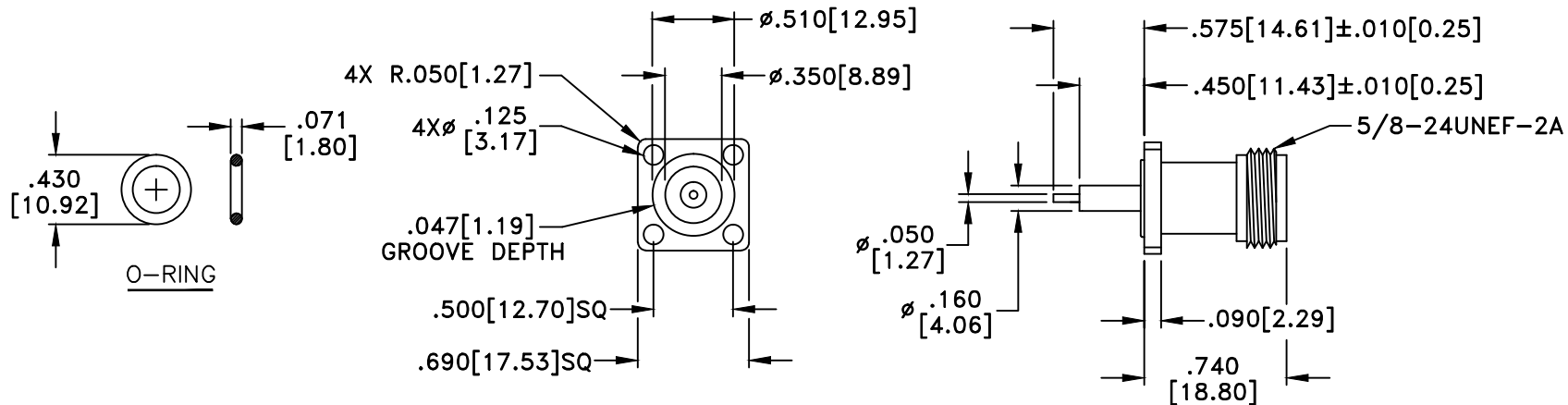
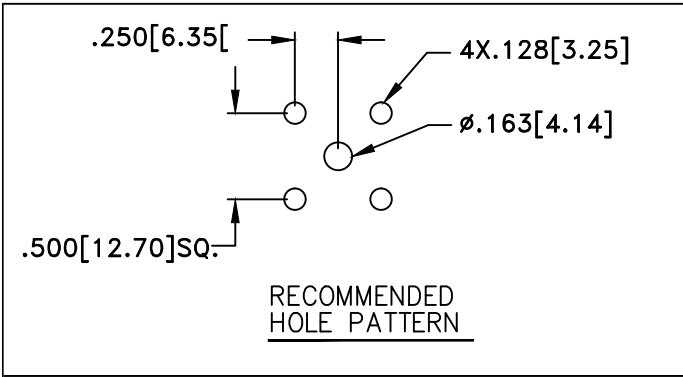


RevNo	Revision note	Date	Checked
1	RoHS Compliant	080505	GC



RoHS Compliant

MATERIAL	
BODY	BRASS
BODY PLATING	WHITE BRONZE
PIN	PHOSPHOR BRONZE
PIN PLATING	GOLD
DIELECTRIC	TEFLON
O-RING	SILICONE RUBBER
50 Ohm IMPEDANCE	
500V PEAK VOLTAGE RATING	
TEMPERATURE RANGE: -55°C TO +155°C	
INTERFACE DIMENSIONS SIMILAR TO MIL-C-39012	

MILLIMETER WAVE TECHNOLOGIES 6501 W. FRYE ROAD, #15 CHANDLER, AZ 85226			N FEMALE CHASSIS MOUNT 4 HOLE FLANGE w/O-RING		
Designed by N. JAIN	Checked by A. LEE	Approved by P. CHEN	File name MW-315-FL-06	TITLE MW-315-FL-06	
TOLERANCES DIMENSIONS ARE IN INCHES UNLESS OTHERWISE SPECIFIED DECIMALS ANGULAR .XX ± .02 ± .06 .XXX ± .005 DO NOT SCALE THIS DRAWING			ALL DIMENSIONS LISTED ON THIS DRAWING ARE LISTED FOR REFERENCE PURPOSES ONLY AND ARE SUBJECT TO CHANGE.		REV. 1 Scale NONE
			DATE 010803	Sheet 1 of 1	