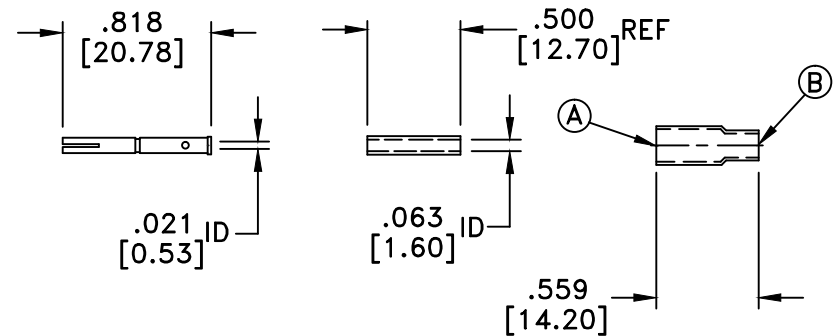
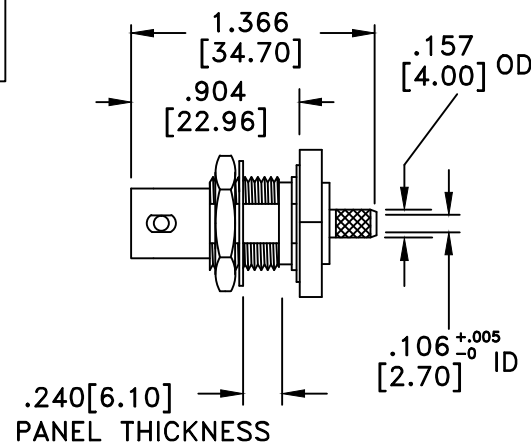


RevNo	Revision Notes	Date	Checked
1	Ferrule Dim. B OD Corrected to .138", Strip Length Changed	082901	A.L.
2	Overall Dimensional change; RoHS Compliant	060205	PC
3	Ferrule redesign	070205	PC
4	Bullet style removed	100507	GC
5	Shank dimensions clarified	100607	GC



RoHS Compliant

FERRULE DIMENSIONS: Ⓐ ID = .121[3.07]; OD = .209[5.31]
 Ⓑ ID = .118[3.00], OD = .163[4.14]

MATERIALS	
BODY	BRASS
BODY PLATING	NICKEL
CONTACT	PHOSPHOR BRONZE
CONTACT PLATING	GOLD
DIELECTRIC	TEFLON (PTFE)
FERRULE	BRASS
FERRULE PLATING	NICKEL
GASKET	SILICONE

50 Ohm IMPEDANCE
 500V PEAK VOLTAGE RATING
 TEMPERATURE RANGE: -55°C TO +155°C
 INTERFACE DIMENSIONS SIMILAR TO MIL-C-39012

MILLIMETER WAVE TECHNOLOGIES 6501 W. FRYE ROAD, #23 CHANDLER, AZ 85226			BNC FEMALE BULKHEAD CABLE END for RG316			
Designed by N. JAIN	Checked by W. CANON	Approved by A. LEE	File name MW-280-E-316	TITLE MW-280-E-316		
TOLERANCES DIMENSIONS IN INCHES UNLESS OTHERWISE SPECIFIED DECIMALS ANGULAR .XX ± .02 ± .06 .XXX ± .005			ALL DIMENSIONS ON THIS DRAWING ARE FOR REFERENCE PURPOSES ONLY AND ARE SUBJECT TO CHANGE.		REV. 5 DATE 062001	Scale NONE Sheet 1 of 1